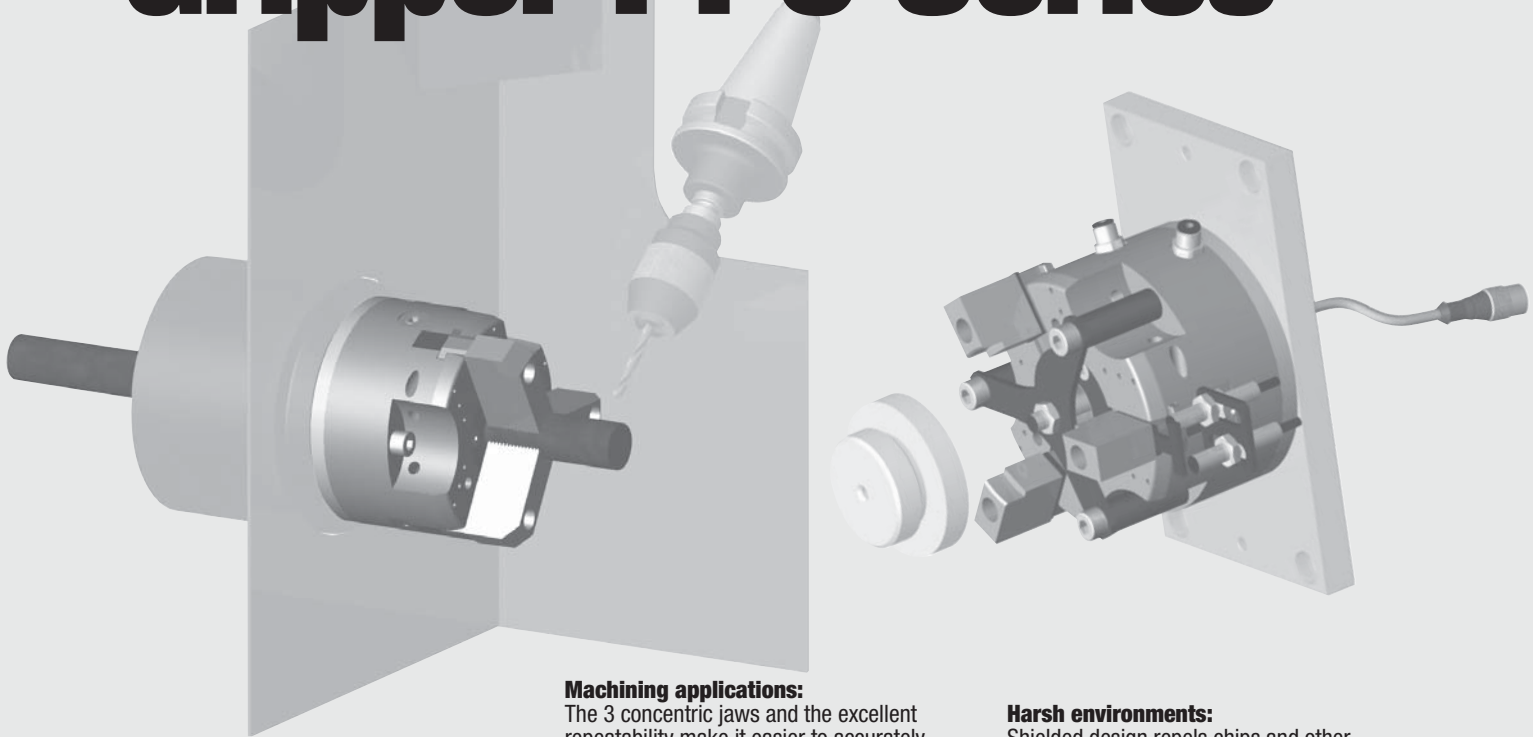


Through Hole Parallel Gripper PPC Series



Through Hole Gripper:

Designed for unique applications where a component ejector is needed after un-gripping the part or to blow air for cleaning the part center. The through hole design allows for the mounting of sensors to detect part presence, and for feeding parts to machining centers.

Machining applications:

The 3 concentric jaws and the excellent repeatability make it easier to accurately load and unload round parts.

Compact, robust and powerful gripper:

This gripper is designed for use in confined spaces, combining long strokes with a high grip force. Optional safety springs retain the components, should the air supply fail or to increase grip force.

Harsh environments:

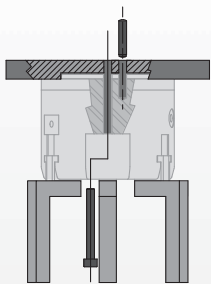
Shielded design repels chips and other particulate from internal drive mechanism.

Multipurpose gripper:

A wide range of options and accessories (extended stroke, safety springs for internal or external gripping, inductive sensors, Viton® seals) allow these grippers to be used in a number of applications.

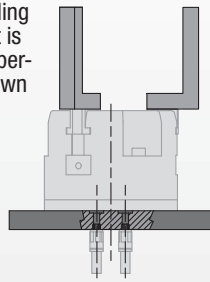
Mounting Information:

Gripper can be mounted and operated in any orientation

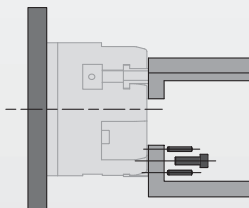


Gripper is located using pilot boss and a dowel pin and assembled with 3 through body screws

The gripper is protected from falling debris when it is mounted and operated upside down



Gripper can be operated utilizing top manifold air ports



Fingers are located on jaws with 2 dowel pins and assembled with 1 screw

Technical Specifications:

Pneumatic Specifications	Imperial	Metric
Pressure Operating Range without springs	30-100 psi	2-7 bar
Pressure Operating Range with springs	45-100 psi	3-7 bar
Cylinder Type	Double Acting or Double Acting Spring Assist or Single Acting Spring Return Internally Lubricated Buna-N	
Dynamic Seals	4-way, 2-position or 3-way, 2-position	
Valve Required to Operate		
Double Acting		
Single Acting		
Air Quality Requirements	40 Micron or Better Not Necessary* Low Moisture Content (dry)	
Air Filtration		
Air Lubrication		
Air Humidity		
Temperature Operating Range		
Buna-N Seals (standard)	-30°~180° F	-35°~80° C
Viton® Seals (optional)	-20°~300° F	-30°~150° C
Maintenance Specifications†		
Expected Life		
Normal Application w/ Preventative Maintenance	5 million cycles or 10+ million cycles*	
Field Repairable	Yes	
Seal Repair Kits Available	Yes	

*Addition of lubrication will greatly increase service life
† See Maintenance Section

Product Features

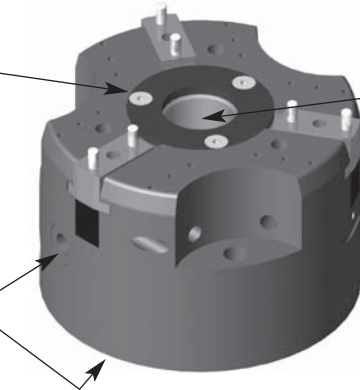
Viton® Seals
Optional for high temperature applications

Quality Components
Made from Aluminum alloy, hard coat anodized with Teflon® Impregnation. The gripper's main components are made of heat treated steel

Standard Stroke and Extended Stroke
Each model of gripper is available in 2 stroke lengths

Shield and Covers
Gripper body is shielded to repel chips and other particulate from internal drive mechanism

Multiple Ports
Side or top manifold ports

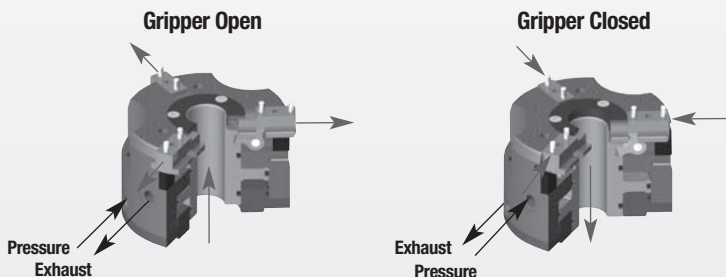
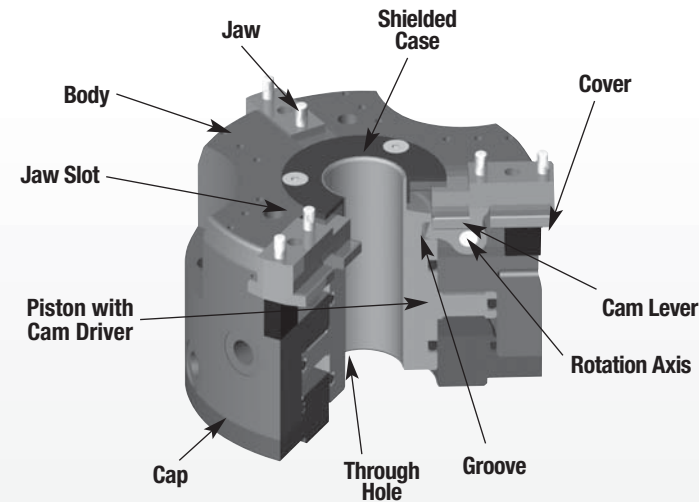


Through Hole Design
The standard hole diameter can be customized with optional sleeves

Inductive Sensing
Inductive sensor kits available. Capable of sensing 4 positions

Safety Springs
Optional Springs for internal gripping (-RI) or external gripping (-RE) in single acting mode or spring assist

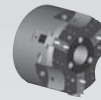
Operating Principle



- A double acting piston with a through hole drives the three cams.
- The piston's motion makes the cam lever rotate and moves the jaws.
- The three cams synchronize the jaw motion.
- Optional springs can be used to increase the grip force or to hold part in the event of loss of air.
- This gripper is suitable for internal or external gripping.

Style -PPC-12 & PPC-12-C

Style: PPC-12
Total Stroke: 0.394 in. 10 mm
Grip Force: 331 lb 1474 N
Weight: 2.2 lb 1.00 Kg

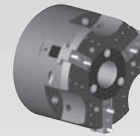


Style: PPC-12-C
Total Stroke: 0.630 in. 16 mm
Grip Force: 201 lb 896 N
Weight: 2.4 lb 1.10 Kg

See Page **1.270-271**

Style -PPC-25 & PPC-25-C

Style: PPC-25
Total Stroke: 0.512 in. 13 mm
Grip Force: 589 lb 2620 N
Weight: 4.9 lb 2.20 Kg

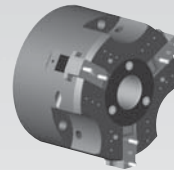


Style: PPC-25-C
Total Stroke: 0.787 in. 20 mm
Grip Force: 369 lb 1642 N
Weight: 5.1 lb 2.30 Kg

See Page **1.272-273**

Style -PPC-34 & PPC-34-C

Style: PPC-34
Total Stroke: 0.787 in. 20 mm
Grip Force: 974 lb 4332 N
Weight: 11.2 lb 5.10 Kg



Style: PPC-34-C
Total Stroke: 1.181 in. 30 mm
Grip Force: 638 lb 2838 N
Weight: 11.7 lb 5.3 Kg

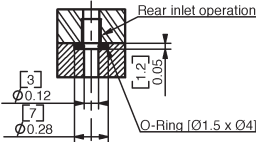
See Page **1.274-275**

PARALLEL GRIPPERS PPC-12 THROUGH HOLE SERIES

PPC SERIES

1.270

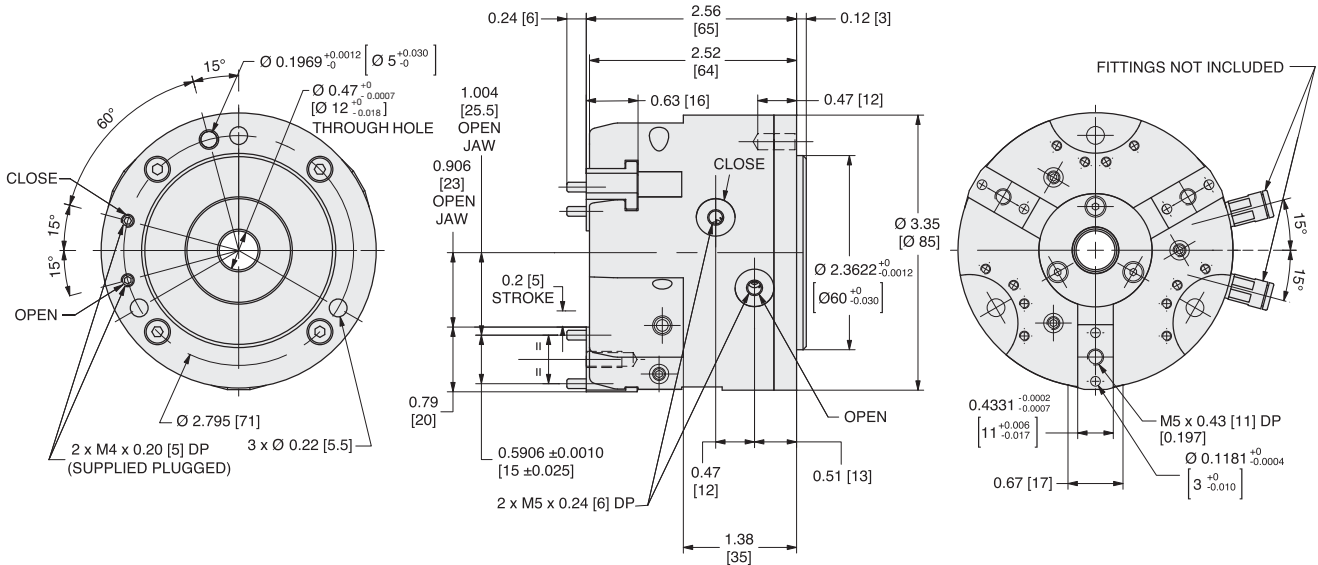
Grippers are supplied with open side air ports and top manifold air ports plugged. Top manifold sealing dimensions shown.



Specifications

		PPC-12	
Total Rated Grip Force @ 100 psi, 7 bar	331 lbs.*	1474 N*	
Total Stroke	0.394 in.	10 mm	
Weight	2.2 lbs.	1.0 Kg	
Pressure Range without Springs	30-100 psi	2-7 bar	
Pressure Range with Springs	45-100 psi	3-7 bar	
Cylinder Bore Ø	2.48 in.	63 mm	
Displacement	1.40 in ³	23 cm ³	
Temperature Range			
Standard Seals	-30°~180° F	-35°~80° C	
Viton® Seals	-20°~300° F	-30°~150° C	
Actuation	0.03 sec.	0.03 sec.	
Repeatability	±0.0008 in.	±0.02 mm	

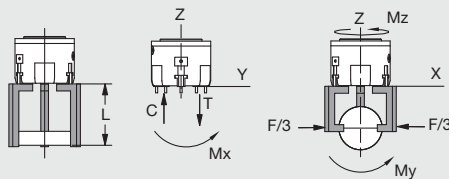
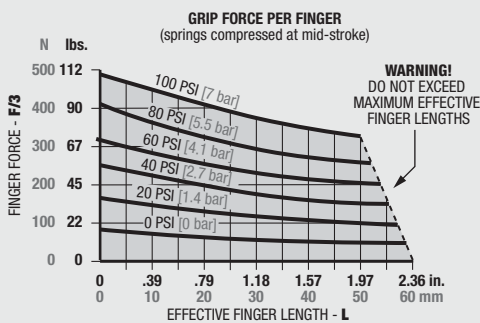
*with Option RE or RI



UNLESS OTHERWISE NOTED ALL TOLERANCES ARE AS SHOWN BELOW

Dimensions are symmetrical about centerline	Third Angle Projection	All Dowel Holes are SF (Slip Fit). Locational Tolerance ±.0005" or ±.013mm	Metric Threads Course Pitch	Imperial in. 0.00 = ±.01 0.000 = ±.005 0.0000 = ±.0005	Metric [mm] [0.] = [±.25] [0.0] = [±.13] [0.00] = [±.013]
---	------------------------	---	--------------------------------	--	---

Loading Information



Loading Capacity [†]	Static		Dynamic	
	Value	Value	Value	Value
Maximum Tensile T	191 lbs. [850 N]	49 lbs. [220 N]	191 lbs. [850 N]	49 lbs. [220 N]
Maximum Compressive C	259 lbs. [1150 N]	49 lbs. [220 N]	259 lbs. [1150 N]	49 lbs. [220 N]
Maximum Moment Mx	177 in.-lbs. [20 Nm]	53 in.-lbs. [6 Nm]	177 in.-lbs. [20 Nm]	53 in.-lbs. [6 Nm]
Maximum Moment My	177 in.-lbs. [20 Nm]	53 in.-lbs. [6 Nm]	177 in.-lbs. [20 Nm]	53 in.-lbs. [6 Nm]
Maximum Moment Mz	443 in.-lbs. [50 Nm]	89 in.-lbs. [10 Nm]	443 in.-lbs. [50 Nm]	89 in.-lbs. [10 Nm]

[†]Capacities are per set of jaws and are not simultaneous

How to Order: (Order Accessories separately from Basic Model)

BASIC MODEL

VITON® SEALS

PPC-12 - [] - V

SAFETY SPRINGS (See below)

SAFETY SPRINGS
RE External Clamping
RI Internal Clamping
 Leave Blank. No Spring Option (standard)

SENSOR ACCESSORIES

Inductive Sensor Holder Kit (1 Holder, 1 Flag, 2 Spacers)	OSMK-105	1 to 2
Inductive NPN Sensor M8 with Quick Disconnect	OISN-011	1 to 4
Inductive PNP Sensor M8 with Quick Disconnect	OISP-011	1 to 4
Quick Disconnect 2 Meter Cable Length	CABL-010	1 to 6
Quick Disconnect 5 Meter Cable Length	CABL-013	1 to 6

ORDER # QTY/UNIT

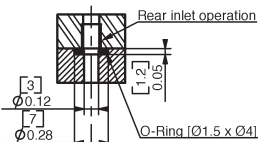
PNEUMATIC ACCESSORIES

Standard Seal Repair Kit	SLKT-207	1
Viton® Seal Repair Kit	SLKT-207V	1

ORDER # QTY/UNIT

Detailed sensor information at the end of this section.

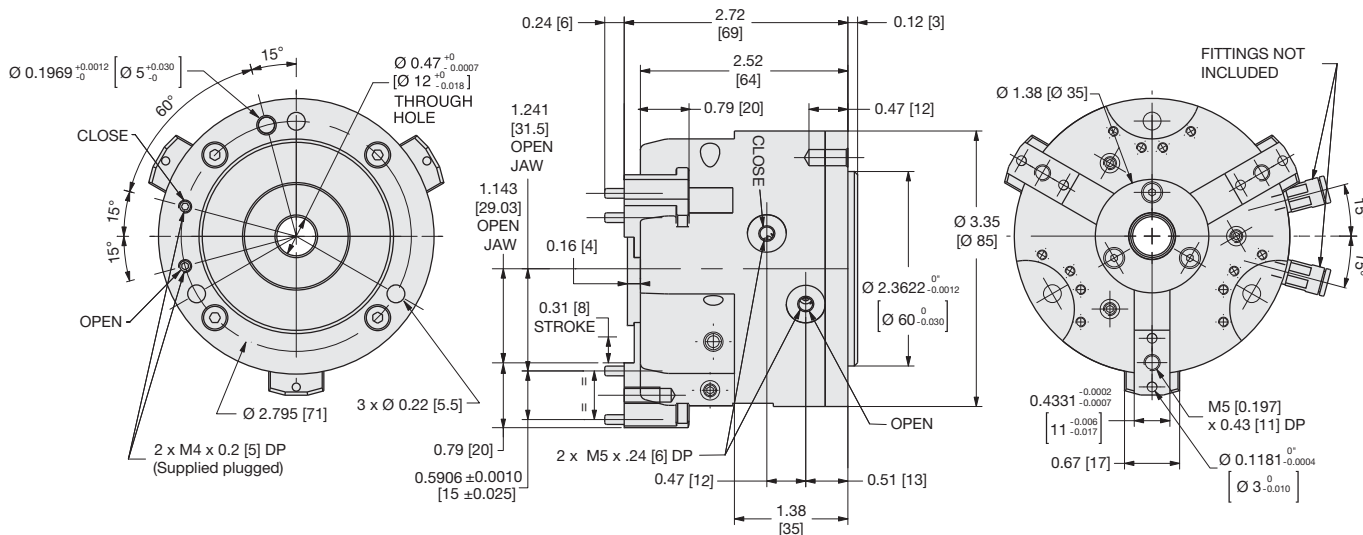
Grippers are supplied with open side air ports and top manifold air ports plugged. Top manifold sealing dimensions shown.



Specifications

		PPC-12-C	
Total Rated Grip Force @ 100 psi, 7 bar	201 lbs.*	896 N*	
Total Stroke	0.630 in.	16 mm	
Weight	2.4 lbs.	1.1 Kg	
Pressure Range without Springs	30-100 psi	2-7 bar	
Pressure Range with Springs	45-100 psi	3-7 bar	
Cylinder Bore Ø	2.48 in.	63 mm	
Displacement	1.40 in ³	23 cm ³	
Temperature Range			
Standard Seals	-30°~180° F	-35°~80° C	
Viton® Seals	-20°~300° F	-30°~150° C	
Actuation	0.03 sec.	0.03 sec.	
Repeatability	±0.0008 in.	±0.02 mm	

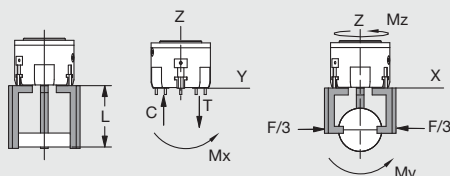
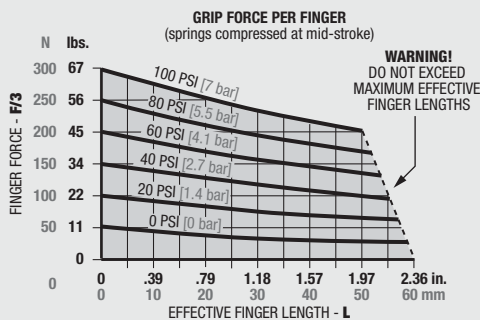
*with Option RE or RI



UNLESS OTHERWISE NOTED ALL TOLERANCES ARE AS SHOWN BELOW

Dimensions are symmetrical about centerline	Third Angle Projection	All Dowel Holes are SF (Slip Fit). Locational Tolerance ±.0005" or ±.013mm	Metric Threads Course Pitch	Imperial in. 0.00 = ±.01 0.000 = ±.005 0.0000 = ±.0005	Metric [mm] [0.] = [±.25] [0.0] = [±.13] [0.00] = [±.013]
---	------------------------	---	--------------------------------	--	---

Loading Information



Loading Capacity†	Static		Dynamic	
	N	lbs.	N	lbs.
Maximum Tensile T	214	48	49	11
Maximum Compressive C	281	63	49	11
Maximum Moment Mx	177	40	53	12
Maximum Moment My	177	40	53	12
Maximum Moment Mz	531	120	89	20

†Capacities are per set of jaws and are not simultaneous

How to Order: (Order Accessories separately from Basic Model)

BASIC MODEL

EXTENDED STROKE

PPC-12 - [] - **C** - **V**

SAFETY SPRINGS (See below)

VITON® SEALS

SAFETY SPRINGS RE External Clamping
RI Internal Clamping
Leave Blank. No Spring Option (standard)

SENSOR ACCESSORIES

Inductive Sensor Holder Kit (1 Holder, 1 Flag, 2 Spacers)	OSMK-105	1 to 2
Inductive NPN Sensor M8 with Quick Disconnect	OISN-011	1 to 4
Inductive PNP Sensor M8 with Quick Disconnect	OISP-011	1 to 4
Quick Disconnect 2 Meter Cable Length	CABL-010	1 to 6
Quick Disconnect 5 Meter Cable Length	CABL-013	1 to 6

PNEUMATIC ACCESSORIES

Standard Seal Repair Kit	SLKT-207	1
Viton® Seal Repair Kit	SLKT-207V	1

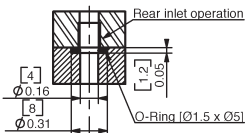
Detailed sensor information at the end of this section.

PARALLEL GRIPPERS PPC-25 THROUGH HOLE SERIES

PPC SERIES

1.272

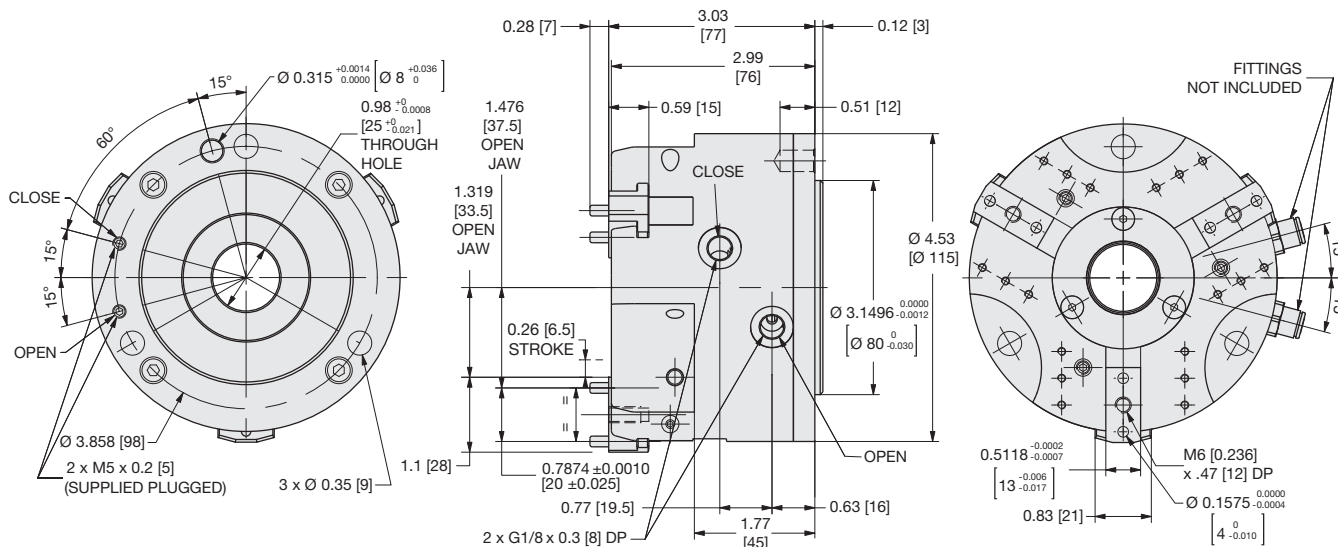
Grippers are supplied with open side air ports and top manifold air ports plugged. Top manifold sealing dimensions shown.



Specifications

		PPC-25	
Total Rated Grip Force @ 100 psi, 7 bar	589 lbs.*	2620 N*	
Total Stroke	0.512 in.	13 mm	
Weight	4.9 lbs.	2.2 Kg	
Pressure Range without Springs	30-100 psi	2-7 bar	
Pressure Range with Springs	45-100 psi	3-7 bar	
Cylinder Bore Ø	3.35 in.	85 mm	
Displacement	3.11 in ³	51 cm ³	
Temperature Range			
Standard Seals	-30°~180° F	-35°~80° C	
Viton® Seals	-20°~300° F	-30°~150° C	
Actuation	0.04 sec.	0.04 sec.	
Repeatability	±0.0008 in.	±0.02 mm	

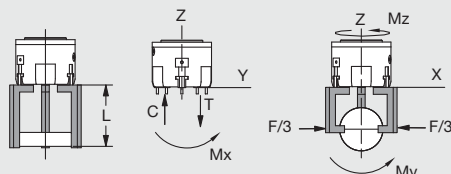
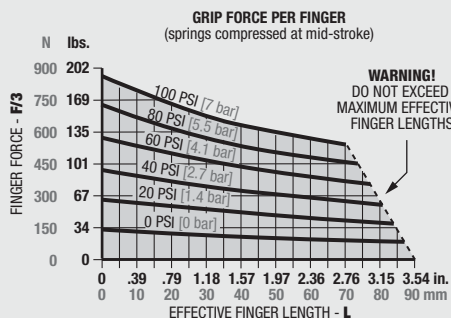
*with Option RE or RI



UNLESS OTHERWISE NOTED ALL TOLERANCES ARE AS SHOWN BELOW

Dimensions are symmetrical about centerline	Third Angle Projection	All Dowel Holes are SF (Slip Fit). Locational Tolerance ±.0005" or ±.013mm	Metric Threads Course Pitch	Imperial in. 0.00 = ±.01 0.000 = ±.005 0.0000 = ±.0005	Metric [mm] [0.] = [±.25] [0.0] = [±.13] [0.00] = [±.013]
---	------------------------	--	-----------------------------	--	---

Loading Information



Loading Capacity†	Static		Dynamic	
	Value	[Metric]	Value	[Metric]
Maximum Tensile T	292 lbs.	[1300 N]	88 lbs.	[390 N]
Maximum Compressive C	337 lbs.	[1500 N]	88 lbs.	[390 N]
Maximum Moment Mx	266 in.-lbs.	[30 Nm]	115 in.-lbs.	[13 Nm]
Maximum Moment My	266 in.-lbs.	[30 Nm]	115 in.-lbs.	[13 Nm]
Maximum Moment Mz	575 in.-lbs.	[65 Nm]	221 in.-lbs.	[25 Nm]

†Capacities are per set of jaws and are not simultaneous

How to Order: (Order Accessories separately from Basic Model)

BASIC MODEL

VITON® SEALS

PPC-25 - [] - V

SAFETY SPRINGS (See below)

SAFETY SPRINGS
RE External Clamping
RI Internal Clamping
 — Leave Blank. No Spring Option (standard)

SENSOR ACCESSORIES

Inductive Sensor Holder Kit (1 Holder, 1 Flag, 2 Spacers)	OSMK-106	1 to 2
Inductive NPN Sensor M8 with Quick Disconnect	OISN-011	1 to 4
Inductive PNP Sensor M8 with Quick Disconnect	OISP-011	1 to 4
Quick Disconnect 2 Meter Cable Length	CABL-010	1 to 6
Quick Disconnect 5 Meter Cable Length	CABL-013	1 to 6

PNEUMATIC ACCESSORIES

Standard Seal Repair Kit	SLKT-208	1
Viton® Seal Repair Kit	SLKT-208V	1

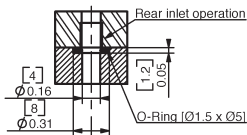
Detailed sensor information at the end of this section.



PARALLEL GRIPPERS PPC-25-C THROUGH HOLE SERIES

PPC SERIES
1.273

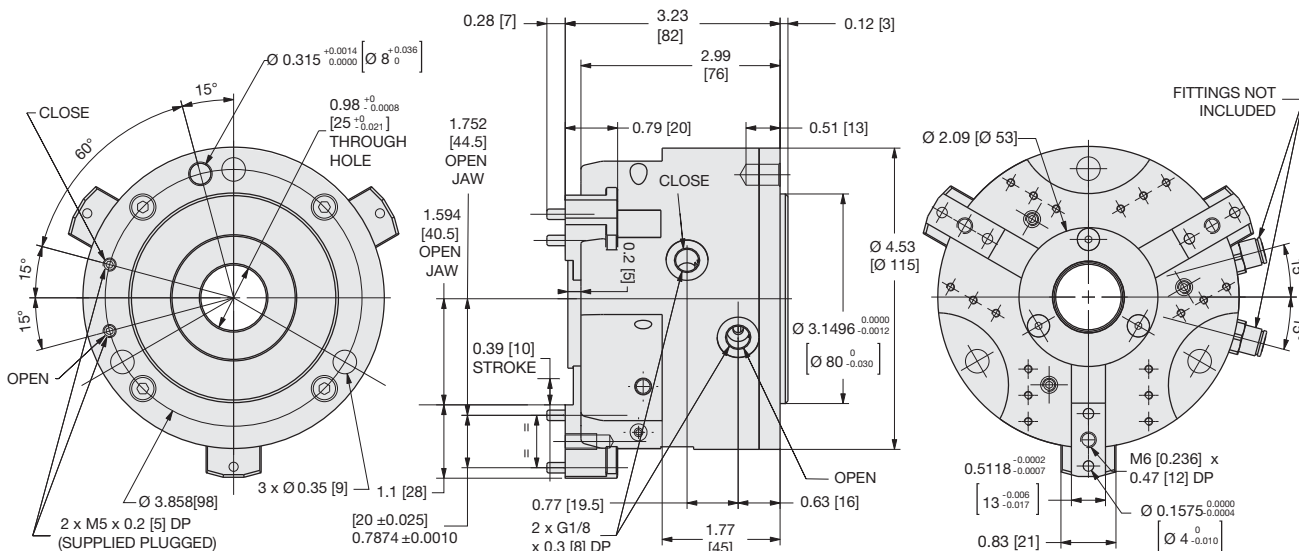
Grippers are supplied with open side air ports and top manifold air ports plugged. Top manifold sealing dimensions shown.



Specifications

	PPC-25-C	
Total Rated Grip Force @ 100 psi, 7 bar	369 lbs.*	1642 N*
Total Stroke	0.787 in.	20 mm
Weight	5.1 lbs.	2.3 Kg
Pressure Range without Springs	30-100 psi	2-7 bar
Pressure Range with Springs	45-100 psi	3-7 bar
Cylinder Bore Ø	3.35 in.	85 mm
Displacement	3.11 in ³	51 cm ³
Temperature Range		
Standard Seals	-30°~180° F	-35°~80° C
Viton® Seals	-20°~300° F	-30°~150° C
Actuation	0.04 sec.	0.04 sec.
Repeatability	±0.0008 in.	±0.02 mm

*with Option RE or RI

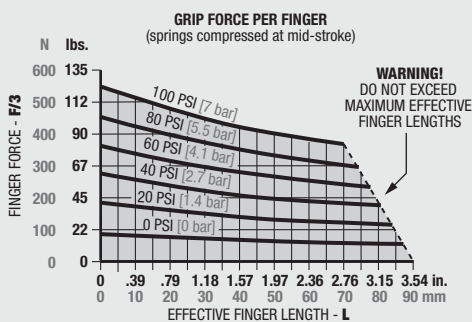


UNLESS OTHERWISE NOTED ALL TOLERANCES ARE AS SHOWN BELOW

	Imperial in.	Metric [mm]
Dimensions are symmetrical about centerline	0.00 = ±.01	[0.] = [±.25]
Third Angle Projection	0.000 = ±.005	[0.0] = [±.13]
All Dowel Holes are SF (Slip Fit). Locational Tolerance ±.0005" or [±.013mm]	0.0000 = ±.0005	[0.00] = [±.013]
Metric Threads Course Pitch		

Loading Information

How to Order: (Order Accessories separately from Basic Model)

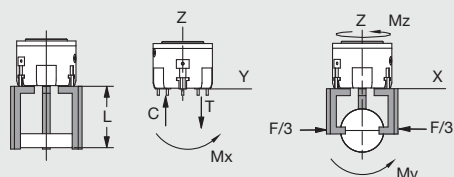


BASIC MODEL EXTENDED STROKE

PPC-25 - [] - C - V

SAFETY SPRINGS (See below) VITON® SEALS

SAFETY SPRINGS RE External Clamping
RI Internal Clamping
Leave Blank. No Spring Option (standard)



Loading Capacity [†]	Static	Dynamic
Maximum Tensile T	292 lbs. [1300 N]	88 lbs. [390 N]
Maximum Compressive C	337 lbs. [1500 N]	88 lbs. [390 N]
Maximum Moment Mx	266 in.-lbs. [30 Nm]	115 in.-lbs. [13 Nm]
Maximum Moment My	266 in.-lbs. [30 Nm]	115 in.-lbs. [13 Nm]
Maximum Moment Mz	620 in.-lbs. [70 Nm]	221 in.-lbs. [25 Nm]

[†]Capacities are per set of jaws and are not simultaneous

SENSOR ACCESSORIES

	ORDER #	QTY/UNIT
Inductive Sensor Holder Kit (1 Holder, 1 Flag, 2 Spacers)	OSMK-106	1 to 2
Inductive NPN Sensor M8 with Quick Disconnect	OISN-011	1 to 4
Inductive PNP Sensor M8 with Quick Disconnect	OISP-011	1 to 4
Quick Disconnect 2 Meter Cable Length	CABL-010	1 to 6
Quick Disconnect 5 Meter Cable Length	CABL-013	1 to 6

PNEUMATIC ACCESSORIES

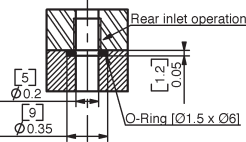
	ORDER #	QTY/UNIT
Standard Seal Repair Kit	SLKT-208	1
Viton® Seal Repair Kit	SLKT-208V	1

Detailed sensor information at the end of this section.

PARALLEL GRIPPERS PPC-34 THROUGH HOLE SERIES



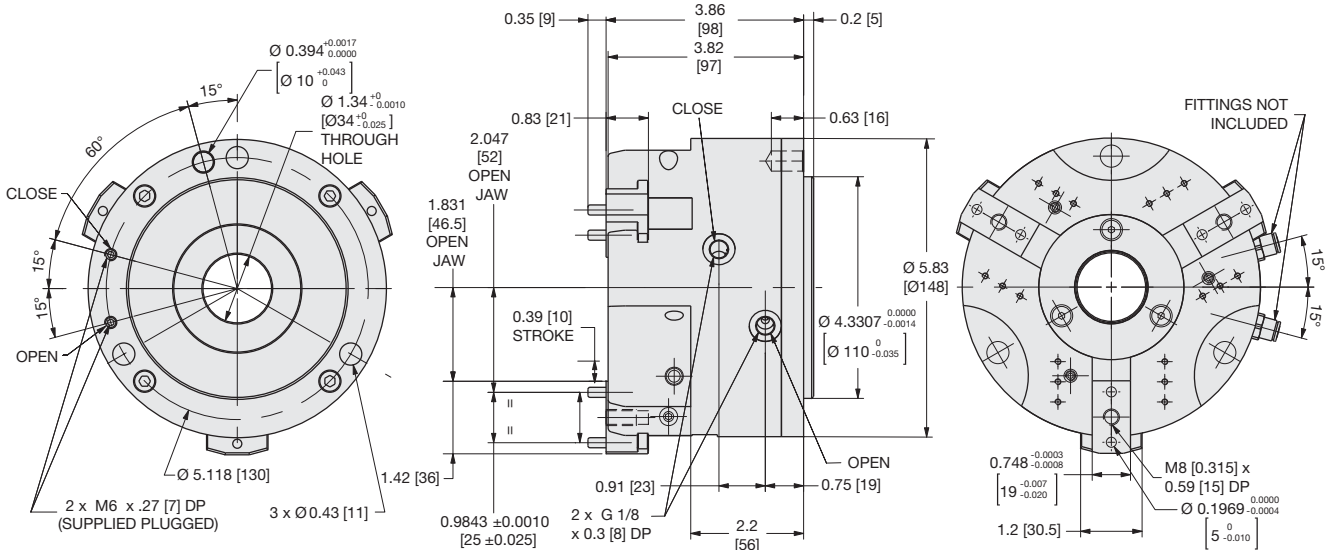
Grippers are supplied with open side air ports and top manifold air ports plugged. Top manifold sealing dimensions shown.



Specifications

		PPC-34	
Total Rated Grip Force @ 100 psi, 7 bar	974 lbs.*	4332 N*	
Total Stroke	0.787 in.	20 mm	
Weight	11.2 lbs.	5.1 Kg	
Pressure Range without Springs	30-100 psi	2-7 bar	
Pressure Range with Springs	45-100 psi	3-7 bar	
Cylinder Bore Ø	4.33 in.	110 mm	
Displacement	7.81 in ³	128 cm ³	
Temperature Range			
Standard Seals	-30°~180° F	-35°~80° C	
Viton® Seals	-20°~300° F	-30°~150° C	
Actuation	0.06 sec.	0.06 sec.	
Repeatability	±0.0008 in.	±0.02 mm	

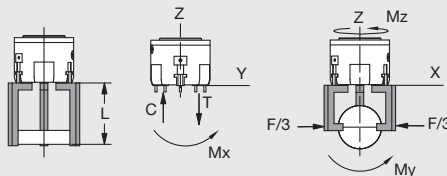
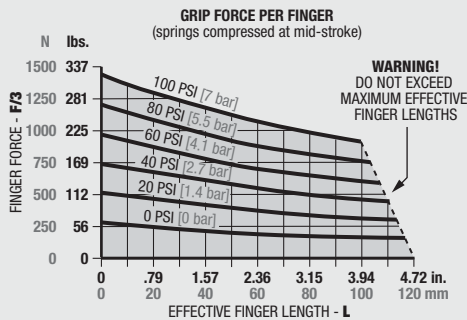
*with Option RE or RI



UNLESS OTHERWISE NOTED ALL TOLERANCES ARE AS SHOWN BELOW

Dimensions are symmetrical about centerline	Third Angle Projection	All Dowel Holes are SF (Slip Fit). Locational Tolerance ±.0005" or [±.013mm]	Metric Threads Course Pitch	Imperial in. 0.00 = ±.01 0.000 = ±.005 0.0000 = ±.0005	Metric [mm] [0.] = [±.25] [0.0] = [±.13] [0.00] = [±.013]
---	------------------------	---	--------------------------------	--	---

Loading Information



Loading Capacity [†]	Static		Dynamic	
	Value	[Metric]	Value	[Metric]
Maximum Tensile T	438 lbs.	[1950 N]	146 lbs.	[650 N]
Maximum Compressive C	483 lbs.	[2150 N]	146 lbs.	[650 N]
Maximum Moment Mx	575 in.-lbs.	[65 Nm]	283 in.-lbs.	[32 Nm]
Maximum Moment My	575 in.-lbs.	[65 Nm]	283 in.-lbs.	[32 Nm]
Maximum Moment Mz	885 in.-lbs.	[100 Nm]	487 in.-lbs.	[55 Nm]

[†]Capacities are per set of jaws and are not simultaneous

How to Order: (Order Accessories separately from Basic Model)

BASIC MODEL

VITON® SEALS

PPC-34 - [] - V

SAFETY SPRINGS (See below)

SAFETY SPRINGS **RE** External Clamping
RI Internal Clamping
— Leave Blank. No Spring Option (standard)

SENSOR ACCESSORIES

Inductive Sensor Holder Kit (1 Holder, 1 Flag, 2 Spacers)	OSMK-107	1 to 2
Inductive NPN Sensor M8 with Quick Disconnect	OISN-011	1 to 4
Inductive PNP Sensor M8 with Quick Disconnect	OISP-011	1 to 4
Quick Disconnect 2 Meter Cable Length	CABL-010	1 to 6
Quick Disconnect 5 Meter Cable Length	CABL-013	1 to 6

ORDER # QTY/UNIT

PNEUMATIC ACCESSORIES

Standard Seal Repair Kit	SLKT-209	1
Viton® Seal Repair Kit	SLKT-209V	1

ORDER # QTY/UNIT

Detailed sensor information at the end of this section.

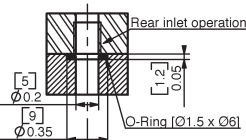


PARALLEL GRIPPERS PPC-34-C THROUGH HOLE SERIES

PPC SERIES

1.275

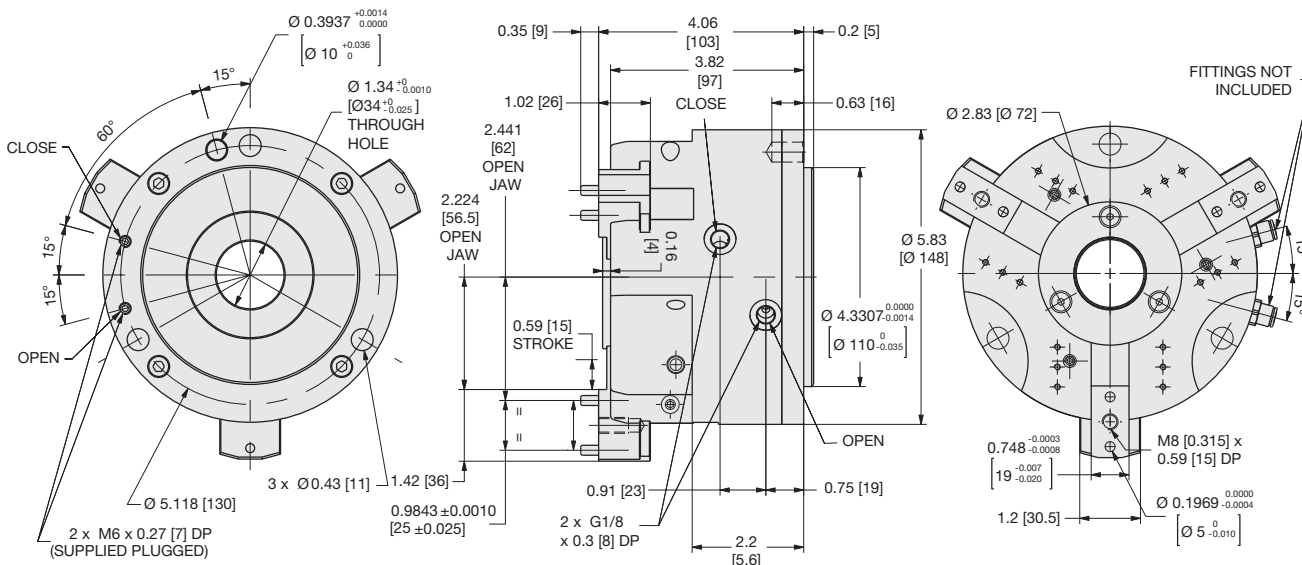
Grippers are supplied with open side air ports and top manifold air ports plugged. Top manifold sealing dimensions shown.



Specifications

		PPC-34-C	
Total Rated Grip Force @ 100 psi, 7 bar	638 lbs.*	2838 N*	
Total Stroke	1.181 in.	30 mm	
Weight	11.7 lbs.	5.3 Kg	
Pressure Range without Springs	30-100 psi	2-7 bar	
Pressure Range with Springs	45-100 psi	3-7 bar	
Cylinder Bore Ø	4.33 in.	110 mm	
Displacement	7.81 in ³	128 cm ³	
Temperature Range			
Standard Seals	-30°~180° F	-35°~80° C	
Viton® Seals	-20°~300° F	-30°~150° C	
Actuation	0.06 sec.	0.06 sec.	
Repeatability	±0.0008 in.	±0.02 mm	

*with Option RE or RI

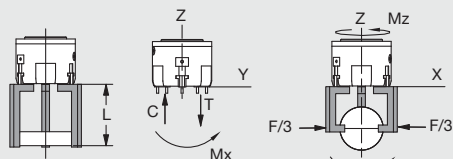
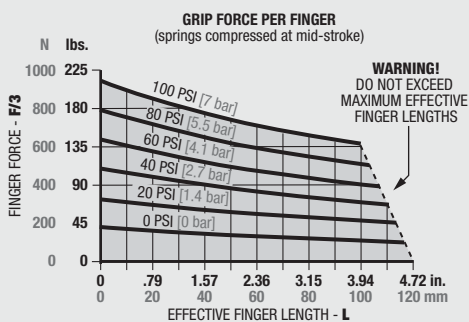


UNLESS OTHERWISE NOTED ALL TOLERANCES ARE AS SHOWN BELOW

Dimensions are symmetrical about centerline	Third Angle Projection	All Dowel Holes are SF (Slip Fit). Locational Tolerance ±.0005" or ±.013mm	Metric Threads Course Pitch	Imperial in. 0.00 = ±.01 0.000 = ±.005 0.0000 = ±.0005	Metric [mm] [0.] = [±.25] [0.0] = [±.13] [0.00] = [±.013]
---	------------------------	---	--------------------------------	--	---

Loading Information

How to Order: (Order Accessories separately from Basic Model)



Loading Capacity [†]	Static	Dynamic
Maximum Tensile T	438 lbs. [2150 N]	146 lbs. [650 N]
Maximum Compressive C	528 lbs. [2350 N]	146 lbs. [650 N]
Maximum Moment Mx	575 in.-lbs. [65 Nm]	283 in.-lbs. [32 Nm]
Maximum Moment My	575 in.-lbs. [65 Nm]	283 in.-lbs. [32 Nm]
Maximum Moment Mz	1062 in.-lbs. [120 Nm]	487 in.-lbs. [55 Nm]

[†]Capacities are per set of jaws and are not simultaneous

BASIC MODEL EXTENDED STROKE

PPC-34 - [] - C - V

SAFETY SPRINGS (See below) VITON® SEALS

SAFETY SPRINGS RE External Clamping
RI Internal Clamping
Leave Blank. No Spring Option (standard)

SENSOR ACCESSORIES

Inductive Sensor Holder Kit (1 Holder, 1 Flag, 2 Spacers)	OSMK-107	1 to 2
Inductive NPN Sensor M8 with Quick Disconnect	OISN-011	1 to 4
Inductive PNP Sensor M8 with Quick Disconnect	OISP-011	1 to 4
Quick Disconnect 2 Meter Cable Length	CABL-010	1 to 6
Quick Disconnect 5 Meter Cable Length	CABL-013	1 to 6

ORDER # QTY/UNIT

PNEUMATIC ACCESSORIES

Standard Seal Repair Kit	SLKT-209	1
Viton® Seal Repair Kit	SLKT-209V	1

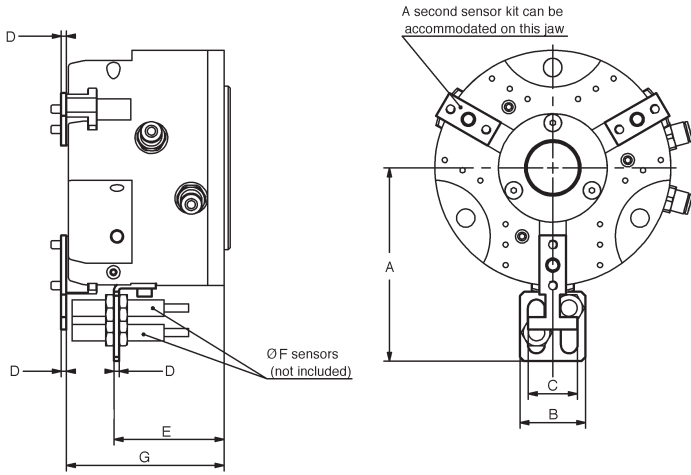
ORDER # QTY/UNIT

Detailed sensor information at the end of this section.

Accessory (OSMK): Inductive Sensor Holders

Each kit allows sensing up to 2 jaw positions: open jaws, closed jaws, or part present. Two kits can be used on each gripper allowing sensing up to 4 positions. The accessory (OSMK) comes with 1 sensor holder, 1 flag, 2 spacers and screws for mounting. The sensors are not included.

1.276



	A	B	C	D	E	F	G
PPC-12	3.13 [79.5]	1.26 [32]	0.95 [24]	0.1 [2.5]	1.72 [43.75]	M8	2.56 [65]
PPC-12-C	3.13 [79.5]	1.26 [32]	0.95 [24]	0.1 [2.5]	1.72 [43.75]	M8	2.72 [69]
PPC-25	3.72 [94.5]	1.26 [32]	0.95 [24]	0.1 [2.5]	2.12 [53.75]	M8	3.03 [77]
PPC-25-C	3.72 [94.5]	1.26 [32]	0.95 [24]	0.1 [2.5]	2.12 [53.75]	M8	3.23 [82]
PPC-34	4.69 [119]	1.26 [32]	0.95 [24]	0.1 [2.5]	2.84 [72.05]	M8	3.86 [98]
PPC-34-C	4.69 [119]	1.26 [32]	0.95 [24]	0.1 [2.5]	2.84 [72.05]	M8	4.06 [103]



PPC SERIES EXPLODED VIEW

PPC SERIES
MAINTENANCE

1.277

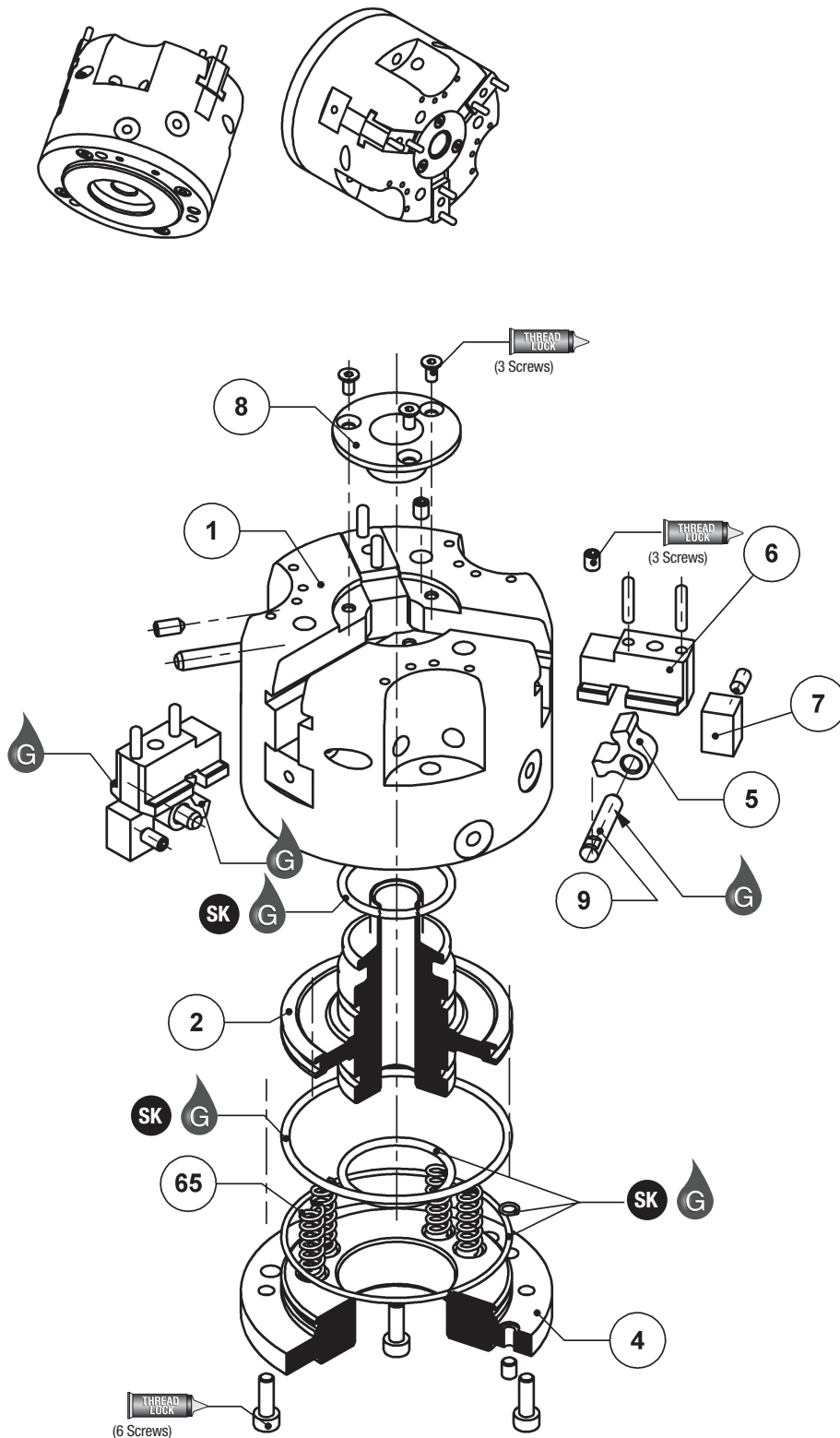
Item	Qty	Name
01	1	Body
02	1	Cam Driver Piston
04	1	Cap
05	3	Cam Lever
06	3	Jaw
07	3	Cover
08	1	Shielded Case
09	3	Pivot Pin
65	6	Springs

NOTE: Contact the Robohand Sales Department for a complete spare parts list with order numbers and prices.

Assembly Procedure

- 1) Lubricate and install the seals onto the cam driver piston
- 2) Lubricate and install the seals into the cap
- 3) Plug rear ports in the cap if rear inlets are not used. If rear inlets are used, plug body ports.
- 4) Insert the piston into body. Place springs into counterbore holes between the body and the piston for **-RE** option or between the piston and the cap for **-RI** option
- 5) Assemble the cap
- 6) Insert together the jaw and the cam lever into the body
- 7) Insert the pivot pin aligning cam lever hole. Screw SS Screw into the body for preventing pivot pin from moving
- 8) Assemble the cover
- 9) Assemble the shielded case

SK Seal Repair Kit Order #'s See Product Data Sheets



SK

Seal Kit Items



Thread Locker



Krytox™ Lubricant



Lightweight Machine Oil



Teflon™ Based Grease

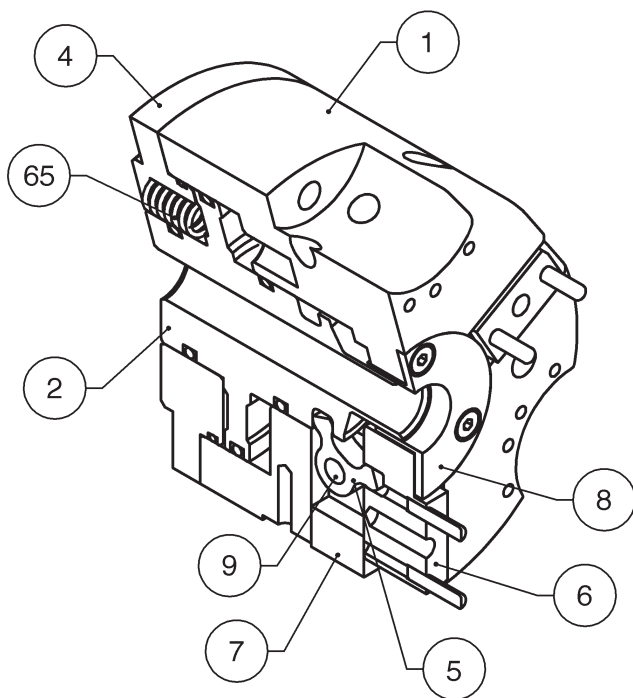


Super Bonder



Third Angle Projection

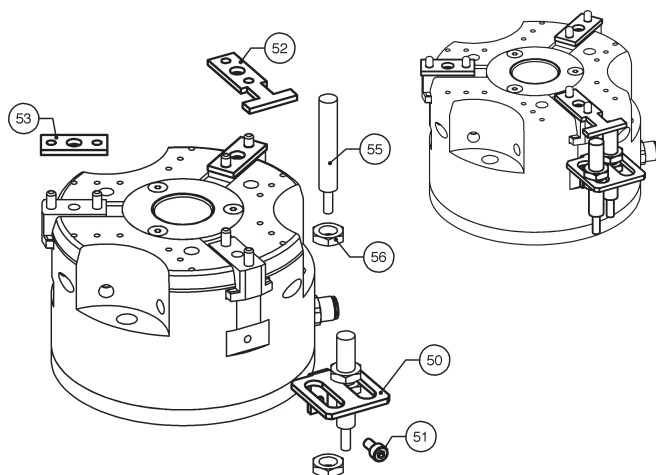
PPC SERIES ASSEMBLED VIEW



Item	Qty	Name
01	1	Body
02	1	Cam Driver Piston
04	1	Cap
05	3	Cam Lever
06	3	Jaw
07	3	Cover
08	1	Shielded Case
09	3	Pivot Pin
65	6	Springs

NOTE: Contact the Robohand Sales Department for a complete spare parts list with order numbers and prices.

ACCESSORY INSTALLATION & ADJUSTMENT INSTRUCTIONS



Installation-Inductive Sensor

- 1) Assemble the sensor holder (#50) onto the gripper
- 2) Place the flag (#52) on one of the jaws above the sensor holder
- 3) Place the spacer (#53) on the other jaws
- 4) Position sensor for desired stroke position
- 5) Tighten sensor locking nuts (#56) to hold sensor depth
- 6) Repeat these operations in case of the use of two sensors holders



Seal Kit
Items



Thread
Locker



Krytox™
Lubricant



Lightweight
Machine Oil



Teflon™ Based
Grease



Super
Bonder



Third Angle
Projection