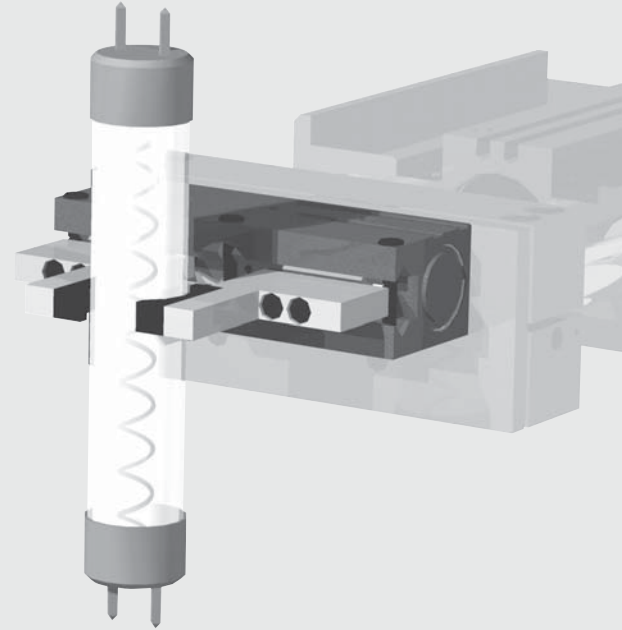
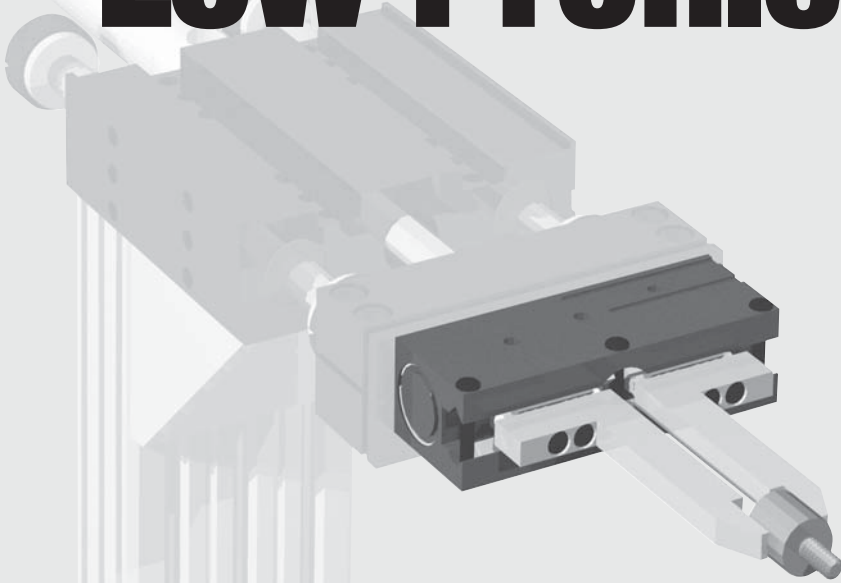


Parallel Grippers - Low Profile Series



- **Precision applications:**

Preloaded "Dual-V" roller bearings eliminate side play for excellent part position repeatability.

- **Repeatable grip force:**

Low friction mechanism allows for consistent, repeatable gripping forces. To grip delicate parts, grip force can be easily altered by adjusting air pressure.

- **Longer finger applications:**

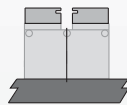
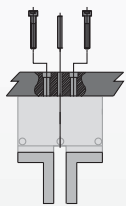
Rigid design allows for longer gripper finger lengths to be used when compared to other grippers of equal weight & size.

- **Non-synchronous motion:**

The unit can be made non-synchronous providing independent jaw motion allowing the gripper to pick or place at a point other than it's center.

Mounting Information:

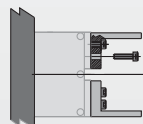
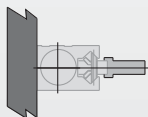
Gripper can be mounted and operated in any orientation



Body mounts with screws and locates with slip fit dowel pins for accuracy



Warning! Protect drive and bearing mechanism from falling debris when mounted upside down



Fingers attach to jaws with screws and locate by keying

Technical Specifications:

Pneumatic Specifications

Pressure Operating Range
Cylinder Type
Dynamic Seals
Valve Required to Operate

Imperial
5-100 psi
Metric
.3-7 bar
Dual Double Acting
Internally Lubricated Buna-N
4-way, 2-position

Air Quality Requirements

Air Filtration
Air Lubrication
Air Humidity

40 Micron or Better
Not Necessary*
Low Moisture Content (dry)

Temperature Operating Range

Buna-N Seals (standard)
Viton® Seals (optional)

-30°~180° F -35°~80° C
-20°~250° F -30°~120° C

Maintenance Specifications†

Expected Life
Normal Application
w/ Preventative Maintenance
Field Repairable
Seal Repair Kits Available

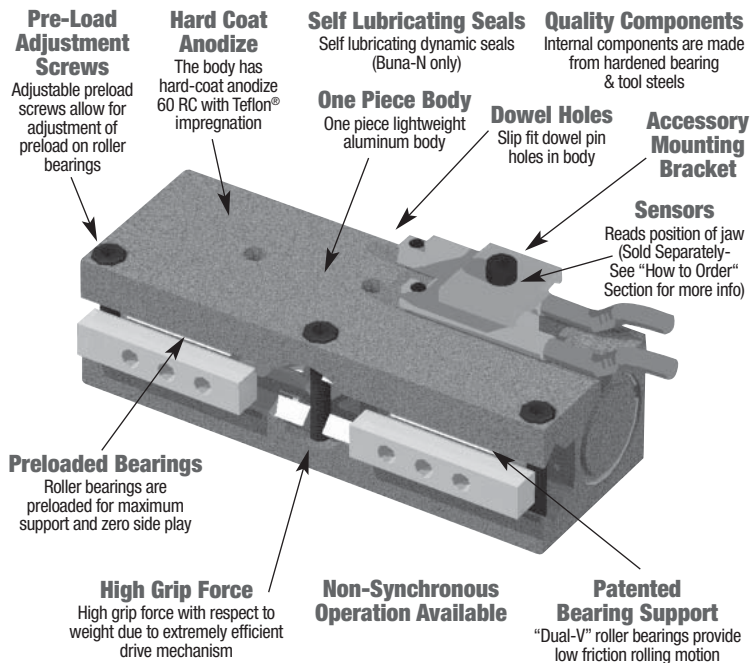
5 million cycles
10+ million cycles*
Yes
Yes

Application Restrictions

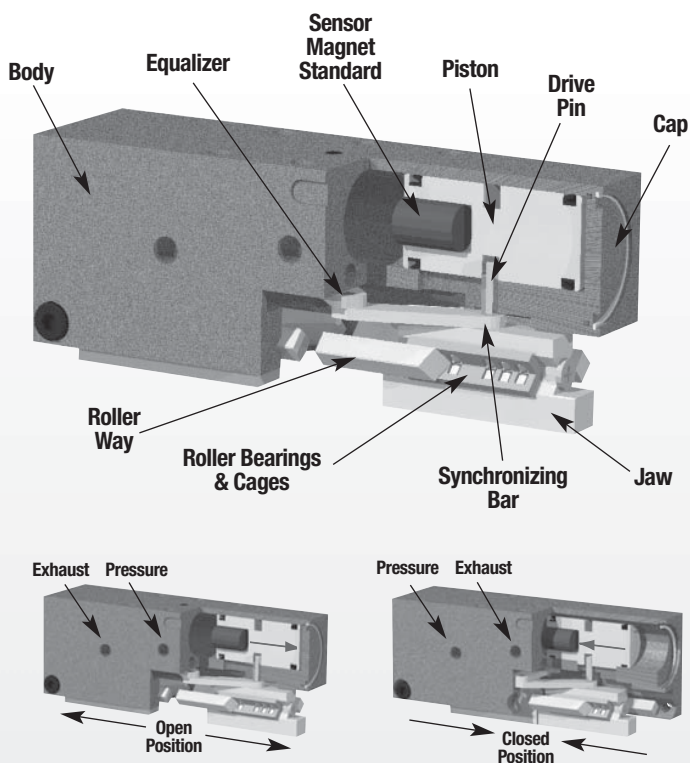
- Dirty or gritty environments
- Machining operations generating chips
- Environments with loose particulate
- Applications where mechanism lubricant could cause contamination

*Addition of lubrication will greatly increase service life
† See Maintenance Section

Product Features



Operating Principle



- Dual double acting opposed pistons, connected to both a jaw and a synchronizing bar by a drive pin, actuate in opposite directions.
- The synchronizing bars are connected to the equalizer which synchronizes the motion.
- Suitable for internal or external gripping.
- The synchronizing elements can be removed for non-synchronous operation.

U.S. Patent # 5,529,359
Designed and manufactured in the USA

Style-RPL Parallel Gripper

Size -1M

Style:	RPL-1	RPL-1M
Stroke:	0.25 in.	6.4 mm
Grip Force:	26 lbs.	116 N
Weight:	.16 lbs.	.07 Kg



See Page **1.92**

Style-RPL Parallel Gripper

Size -2M

Style:	RPL-2	RPL-2M
Stroke:	0.50 in.	12.7 mm
Grip Force:	26 lbs.	116 N
Weight:	.20 lbs.	.09 Kg



See Page **1.93**

Style-RPL Parallel Gripper

Size -3M

Style:	RPL-3	RPL-3M
Stroke:	0.75 in.	19.1 mm
Grip Force:	36 lbs.	160 N
Weight:	.32 lbs.	.14 Kg



See Page **1.94**

Style-RPL Parallel Gripper

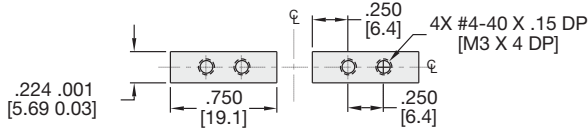
Size -4M

Style:	RPL-4	RPL-4M
Stroke:	1.00 in.	25.4 mm
Grip Force:	36 lbs.	160 N
Weight:	.38 lbs.	.17 Kg

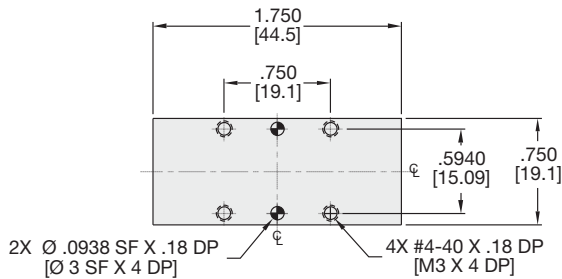
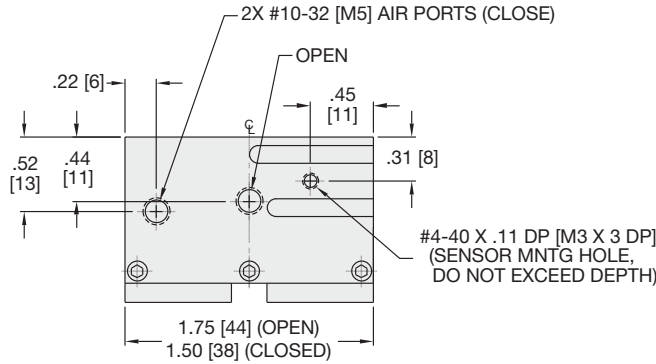


See Page **1.95**

PARALLEL GRIPPER RPL-1M PRECISION DUAL "V" LOW PROFILE SERIES

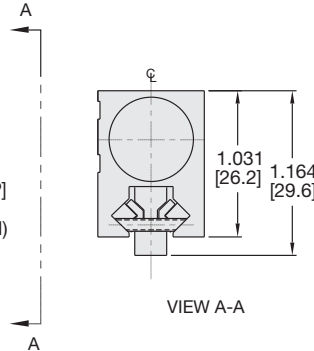


JAW MOUNTING PATTERN
(SHOWN IN OPEN POSITION)



Specifications

	RPL-1	RPL-1M
Total Rated Grip Force F @ 100 psi, 7 bar	26 lbs.	116 N
Stroke	0.25 in.	6.4 mm
Weight	0.16 lbs.	0.07 Kg
Pressure Range	5-100 psi	0.3-7 bar
Cylinder Bore \varnothing	0.438 in.	11.1 mm
Displacement	0.038 in ³	0.6 cm ³
Temperature Range		
Standard Seals	-30°~180° F	-35°~80° C
Viton® Seals	-20°~250° F	-30°~120° C
Actuation	0.10 sec.	0.10 sec.
Accuracy	±0.002 in.	±0.05 mm
Repeatability	±0.001 in.	±0.03 mm
Valve required to actuate	4-way, 2-position	

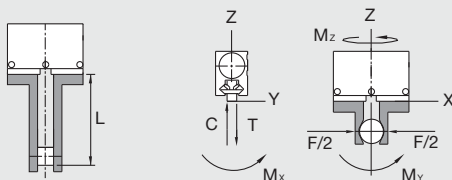
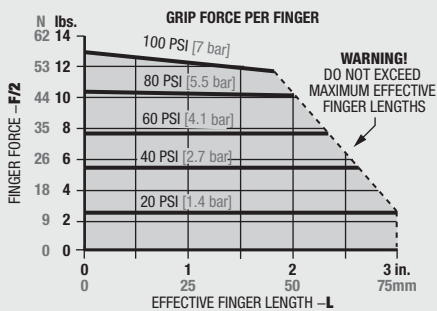


UNLESS OTHERWISE NOTED ALL TOLERANCES ARE AS SHOWN BELOW

Dimensions are symmetrical about centerline	Third Angle Projection	All Dowel Holes are SF (Slip Fit). Locational Tolerance ±.0005" or [±.013mm]
Metric Threads Course Pitch	Imperial in. 0.00 = ±.01 0.000 = ±.005 0.0000 = ±.0005	Metric [mm] [0.] = [±.25] [0.0] = [±.13] [0.00] = [±.013]

Loading Information

How to Order: (Order Accessories separately from Basic Model)



BASIC MODEL **NON-SYNCHRONOUS**

RPL-1 M - NS - V

METRIC **VITON® SEALS**

SENSOR ACCESSORIES*

	ORDER #	QTY/UNIT
Sensor Mounting Kit for Imperial & Metric Units (mounts 2 sensors)	OSMK-008	1
NPN Magneto Resistive Sensor with Quick Disconnect*	OHSN-017	1 or 2
PNP Magneto Resistive Sensor with Quick Disconnect*	OHSP-017	1 or 2
Quick Disconnect 2 Meter Cable Length*	CABL-010	1 or 2
Quick Disconnect 5 Meter Cable Length*	CABL-013	1 or 2

PNEUMATIC ACCESSORIES

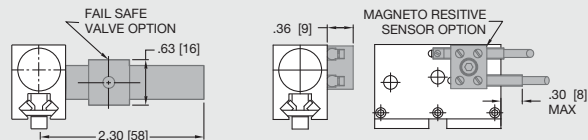
Fail Safe Valve (Imperial)	OFSV-001	1
Fail Safe Valve (Metric)	OFSV-004	1
Standard Seal Repair Kit	SLKT-010	1
Viton® Seal Repair Kit	SLKT-010V	1

*Sensor and cable sold separately *Piston magnet standard

Loading Capacity†

	Static		Dynamic	
	Imperial	Metric	Imperial	Metric
Maximum Tensile T	50 lbs.	222 N	15 lbs.	67 N
Maximum Compressive C	50 lbs.	222 N	15 lbs.	67 N
Maximum Moment M_x	30 in.-lbs.	3.4 Nm	10 in.-lbs.	1.1 Nm
Maximum Moment M_y	40 in.-lbs.	4.5 Nm	12 in.-lbs.	1.4 Nm
Maximum Moment M_z	30 in.-lbs.	3.4 Nm	10 in.-lbs.	1.1 Nm

†Capacities are per set of jaws and are not simultaneous

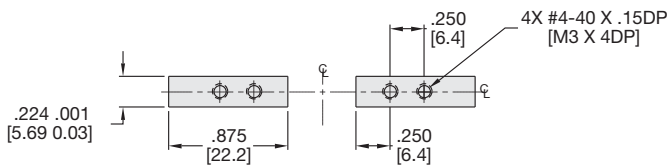




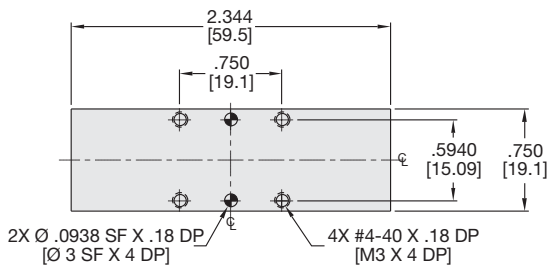
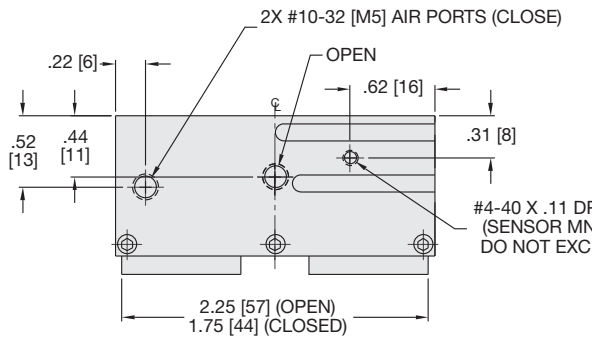
PARALLEL GRIPPER RPL-2M PRECISION DUAL "V" LOW PROFILE SERIES

RPL SERIES

1.93

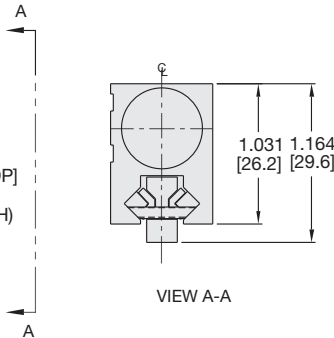


JAW MOUNTING PATTERN
(SHOWN IN OPEN POSITION)



Specifications

	RPL-2	RPL-2M
Total Rated Grip Force F @ 100 psi, 7 bar	26 lbs.	116 N
Stroke	0.50 in.	12.7 mm
Weight	0.20 lbs.	0.09 Kg
Pressure Range	5-100 psi	0.3-7 bar
Cylinder Bore Ø	0.438 in.	11.1 mm
Displacement	0.075 in ³	1.2 cm ³
Temperature Range		
Standard Seals	-30°~180° F	-35°~80° C
Viton® Seals	-20°~250° F	-30°~120° C
Actuation	0.13 sec.	0.13 sec.
Accuracy	±0.002 in.	±0.05 mm
Repeatability	±0.001 in.	±0.03 mm
Valve required to actuate	4-way, 2-position	

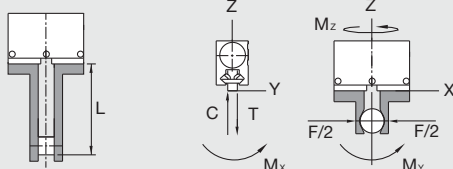
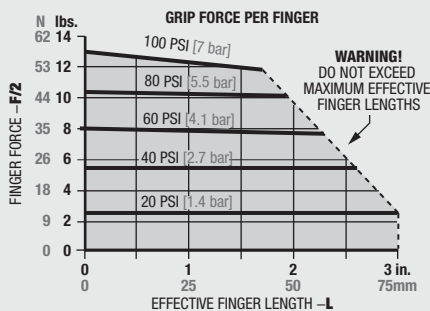


UNLESS OTHERWISE NOTED ALL TOLERANCES ARE AS SHOWN BELOW

Dimensions are symmetrical about centerline	Third Angle Projection	All Dowel Holes are SF (Slip Fit). Locational Tolerance ±.0005" or [±.013mm]
Metric Threads Course Pitch	Imperial in. 0.00 = ±.01 0.000 = ±.005 0.0000 = ±.0005	Metric [mm] [0.] = [±.25] [0.0] = [±.13] [0.00] = [±.013]

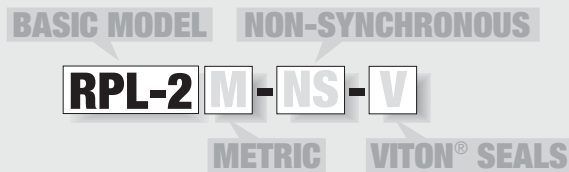
Loading Information

How to Order: (Order Accessories separately from Basic Model)



Loading Capacity [†]	Static		Dynamic	
	Imperial	Metric	Imperial	Metric
Maximum Tensile T	65 lbs.	289 N	20 lbs.	89 N
Maximum Compressive C	65 lbs.	289 N	20 lbs.	89 N
Maximum Moment M_x	45 in.-lbs.	5.1 Nm	15 in.-lbs.	1.7 Nm
Maximum Moment M_y	60 in.-lbs.	6.8 Nm	20 in.-lbs.	2.3 Nm
Maximum Moment M_z	45 in.-lbs.	5.1 Nm	15 in.-lbs.	1.7 Nm

[†]Capacities are per set of jaws and are not simultaneous



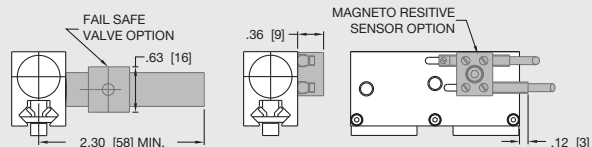
SENSOR ACCESSORIES[†]

	ORDER #	QTY/UNIT
Sensor Mounting Kit for Imperial & Metric Units (mounts 2 sensors)	OSMK-008	1
NPN Magneto Resistive Sensor with Quick Disconnect*	OHSN-017	1 or 2
PNP Magneto Resistive Sensor with Quick Disconnect*	OHSP-017	1 or 2
Quick Disconnect 2 Meter Cable Length*	CABL-010	1 or 2
Quick Disconnect 5 Meter Cable Length*	CABL-013	1 or 2

PNEUMATIC ACCESSORIES

	ORDER #	QTY/UNIT
Fail Safe Valve (Imperial)	OFSV-001	1
Fail Safe Valve (Metric)	OFSV-004	1
Standard Seal Repair Kit	SLKT-010	1
Viton® Seal Repair Kit	SLKT-010V	1

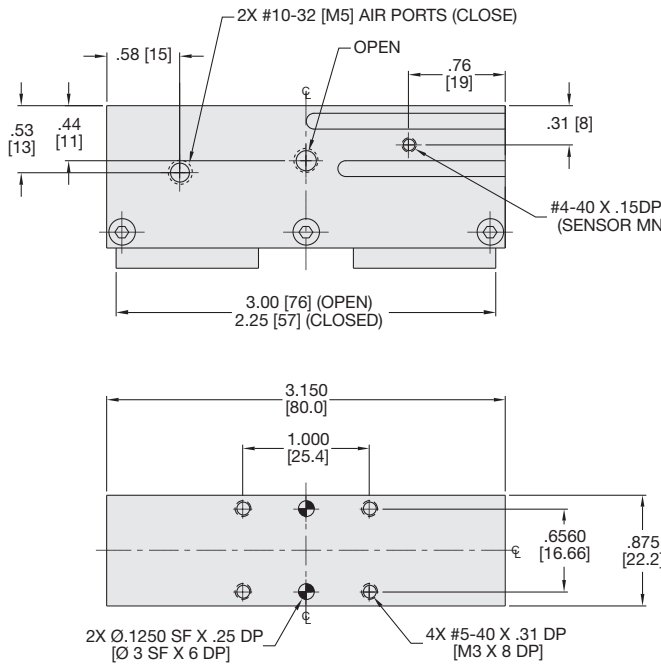
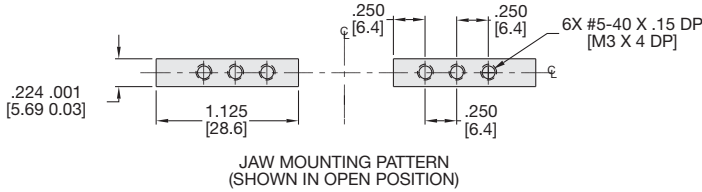
*Sensor and cable sold separately [†]Piston magnet standard



PARALLEL GRIPPER RPL-3M PRECISION DUAL "V" LOW PROFILE SERIES

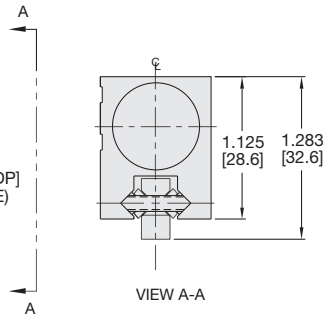


1.94



Specifications

	RPL-3	RPL-3M
Total Rated Grip Force F @ 100 psi, 7 bar	36 lbs.	160 N
Stroke	0.75 in.	19.1 mm
Weight	0.32 lbs.	0.15 Kg
Pressure Range	5-100 psi	0.3-7 bar
Cylinder Bore Ø	0.500 in.	12.7 mm
Displacement	0.147 in³	2.4 cm³
Temperature Range		
Standard Seals	-30°~180° F	-35°~80° C
Viton® Seals	-20°~250° F	-30°~120° C
Actuation	0.14 sec.	0.14 sec.
Accuracy	±0.002 in.	±0.05 mm
Repeatability	±0.001 in.	±0.03 mm
Valve required to actuate	4-way, 2-position	

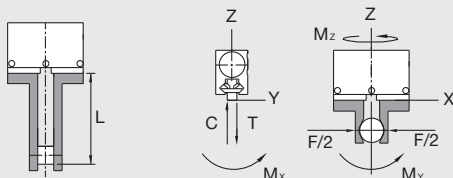
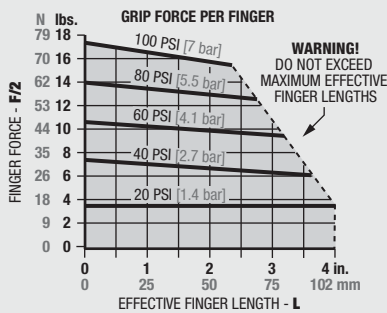


UNLESS OTHERWISE NOTED ALL TOLERANCES ARE AS SHOWN BELOW

Dimensions are symmetrical about centerline	Third Angle Projection	All Dowel Holes are SF (Slip Fit). Locational Tolerance ±.0005" or [±.013mm]
Metric Threads Course Pitch	Imperial in. 0.00 = ±.01 0.000 = ±.005 0.0000 = ±.0005	Metric [mm] [0.] = [±.25] [0.0] = [±.13] [0.00] = [±.013]

Loading Information

How to Order: (Order Accessories separately from Basic Model)



BASIC MODEL **NON-SYNCHRONOUS**
RPL-3 **M** - **NS** - **V**
METRIC **VITON® SEALS**

SENSOR ACCESSORIES*

	ORDER #	QTY/UNIT
Sensor Mounting Kit for Imperial & Metric Units (mounts 2 sensors)	OSMK-008	1
NPN Magneto Resistive Sensor with Quick Disconnect*	OHSN-017	1 or 2
PNP Magneto Resistive Sensor with Quick Disconnect*	OHSP-017	1 or 2
Quick Disconnect 2 Meter Cable Length*	CABL-010	1 or 2
Quick Disconnect 5 Meter Cable Length*	CABL-013	1 or 2

PNEUMATIC ACCESSORIES

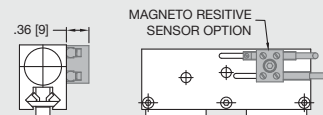
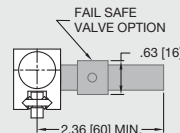
Fail Safe Valve (Imperial)	OFSV-001	1
Fail Safe Valve (Metric)	OFSV-004	1
Standard Seal Repair Kit	SLKT-012	1
Viton® Seal Repair Kit	SLKT-012V	1

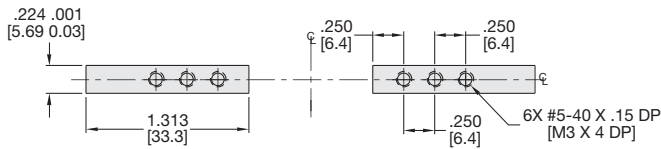
*Sensor and cable sold separately *Piston magnet standard

Loading Capacity†

	Static		Dynamic	
	Imperial	Metric	Imperial	Metric
Maximum Tensile T	90 lbs.	400 N	30 lbs.	133 N
Maximum Compressive C	90 lbs.	400 N	30 lbs.	133 N
Maximum Moment M_x	60 in.-lbs.	6.8 Nm	20 in.-lbs.	2.3 Nm
Maximum Moment M_y	80 in.-lbs.	9.0 Nm	25 in.-lbs.	2.8 Nm
Maximum Moment M_z	60 in.-lbs.	6.8 Nm	20 in.-lbs.	2.3 Nm

†Capacities are per set of jaws and are not simultaneous

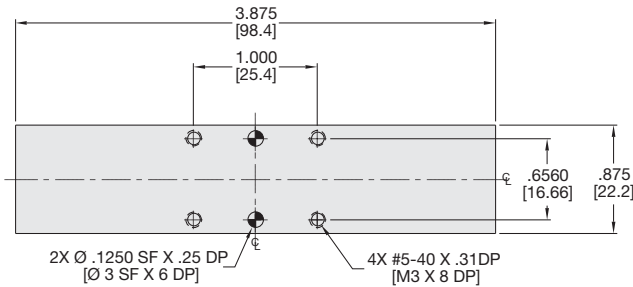
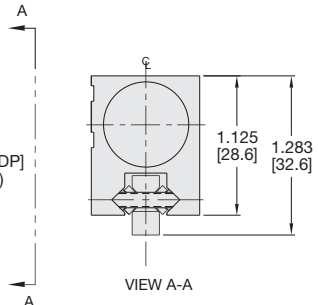
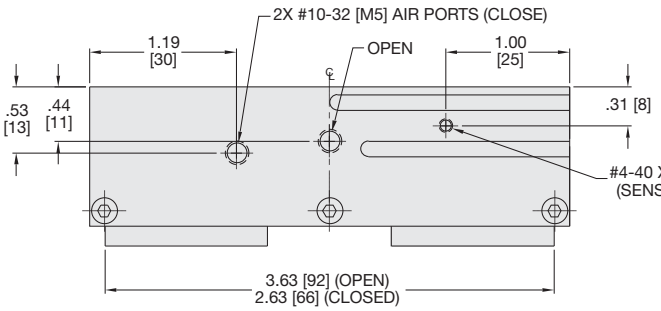




JAW MOUNTING PATTERN
(SHOWN IN OPEN POSITION)

Specifications

	RPL-4	RPL-4M
Total Rated Grip Force F @ 100 psi, 7 bar	36 lbs.	160 N
Stroke	1.00 in.	25.4 mm
Weight	0.38 lbs.	0.17 Kg
Pressure Range	5-100 psi	0.3-7 bar
Cylinder Bore \varnothing	0.500 in.	12.7 mm
Displacement	0.196 in ³	3.2 cm ³
Temperature Range		
Standard Seals	-30°~180° F	-35°~80° C
Viton® Seals	-20°~250° F	-30°~120° C
Actuation	0.19 sec.	0.19 sec.
Accuracy	±0.002 in.	±0.05 mm
Repeatability	±0.001 in.	±0.03 mm
Valve required to actuate	4-way, 2-position	

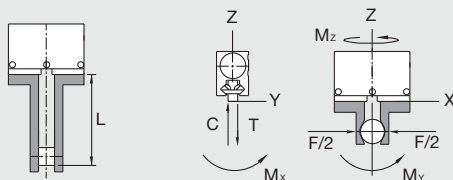
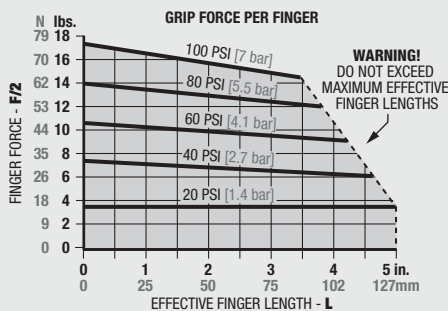


UNLESS OTHERWISE NOTED ALL TOLERANCES ARE AS SHOWN BELOW

Dimensions are symmetrical about centerline	Third Angle Projection	All Dowel Holes are SF (Slip Fit). Locational Tolerance ±.0005" or [±.013mm]
Metric Threads Course Pitch	Imperial in. 0.00 = ±.01 0.000 = ±.005 0.0000 = ±.0005	Metric [mm] [0.] = [±.25] [0.0] = [±.13] [0.00] = [±.013]

Loading Information

How to Order: (Order Accessories separately from Basic Model)



BASIC MODEL **NON-SYNCHRONOUS**

RPL-4 **M** - **NS** - **V**

METRIC **VITON® SEALS**

SENSOR ACCESSORIES*†

	ORDER #	QTY/UNIT
Sensor Mounting Kit for Imperial & Metric Units (mounts 2 sensors)	OSMK-008	1
NPN Magneto Resistive Sensor with Quick Disconnect*	OHSN-017	1 or 2
PNP Magneto Resistive Sensor with Quick Disconnect*	OHSP-017	1 or 2
Quick Disconnect 2 Meter Cable Length*	CABL-010	1 or 2
Quick Disconnect 5 Meter Cable Length*	CABL-013	1 or 2

PNEUMATIC ACCESSORIES

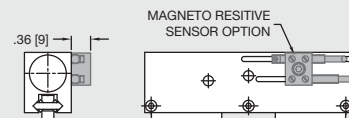
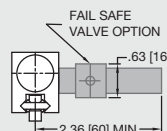
Fail Safe Valve (Imperial)	OFSV-001	1
Fail Safe Valve (Metric)	OFSV-004	1
Standard Seal Repair Kit	SLKT-012	1
Viton® Seal Repair Kit	SLKT-012V	1

*Sensor and cable sold separately †Piston magnet standard

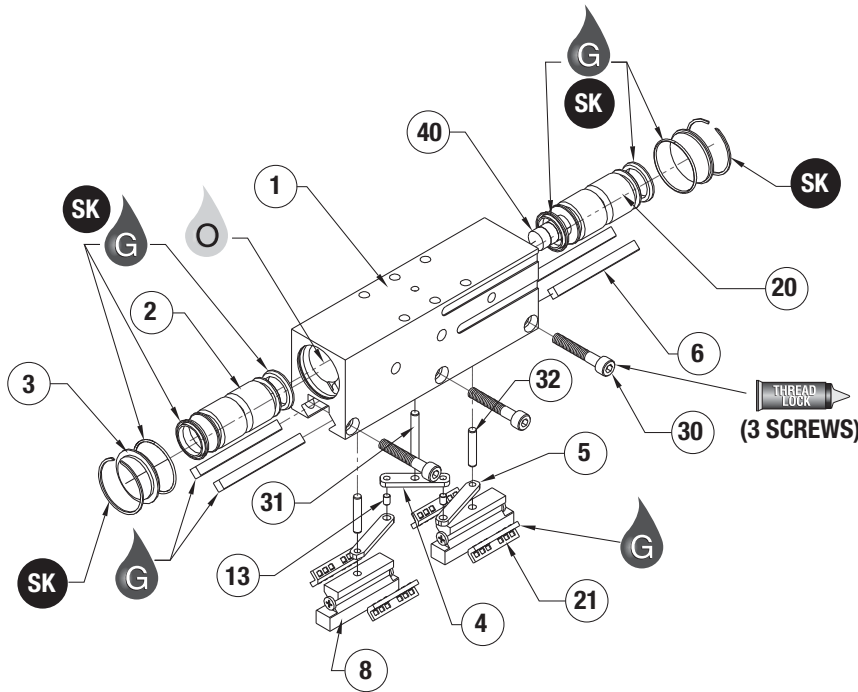
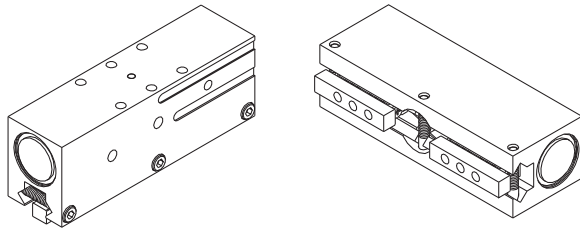
Loading Capacity†

	Static		Dynamic	
	Imperial	Metric	Imperial	Metric
Maximum Tensile T	120 lbs.	534 N	40 lbs.	178 N
Maximum Compressive C	120 lbs.	534 N	40 lbs.	178 N
Maximum Moment M_x	75 in.-lbs.	8.5 Nm	25 in.-lbs.	2.8 Nm
Maximum Moment M_y	100 in.-lbs.	11.3 Nm	35 in.-lbs.	4.0 Nm
Maximum Moment M_z	75 in.-lbs.	8.5 Nm	25 in.-lbs.	2.8 Nm

†Capacities are per set of jaws and are not simultaneous



RPL SERIES EXPLODED VIEW



Item	Qty	Name
01	1	Body
02	1	Piston
03	2	Cap
04	1	Equalizer
05	2	Link
06	4	Way
08	2	Jaw
13	2	Pin
20	1	Piston W/Magnet Slot
21	4	S'assy,Cage & Rollers
30	3	SHCS
31	1	Dowel Pin
32	2	Dowel Pin
40	2	Magnet

NOTE: Contact the Robohand Sales Department for a complete spare parts list with order numbers and prices.

Assembly Procedure

- 1) Lubricate and install seals.
- 2) Press dowel pin into center of body.
- 3) Place links and equalizers into body.
- 4) Press dowel pins into jaws.
- 5) Place jaws through links and into pistons.
- 6) Install cages on jaws.
- 7) Place ways behind cages with flat facing out and install screws.
- 8) Adjust preload.

Preload Adjustment Procedure

- 1) Tighten center screw (#30) so that fingers bind slightly.
- 2) Tighten outer screws in the same fashion.
- 3) Cycle the gripper.
- 4) Re-adjust screws so that when you push the cage, the finger moves freely. (the finger movement should not feel gritty.)

Non-Synchronous Procedure

- 1) Remove preload screws (#30) and ways.
- 2) Remove cages, jaws and dowel pins.
- 3) Remove equalizer, links, and roller bearings.
- 4) Re-assemble jaws and dowel pins into pistons.
- 5) Re-install cages on jaws.
- 6) Place ways behind cages with flat facing out and install preload screws.
- 7) Adjust preload.

SK Seal Repair Kit Order #'s See Product Data Sheets



Seal Kit Items



Thread Locker



Krytox™ Lubricant



Lightweight Machine Oil



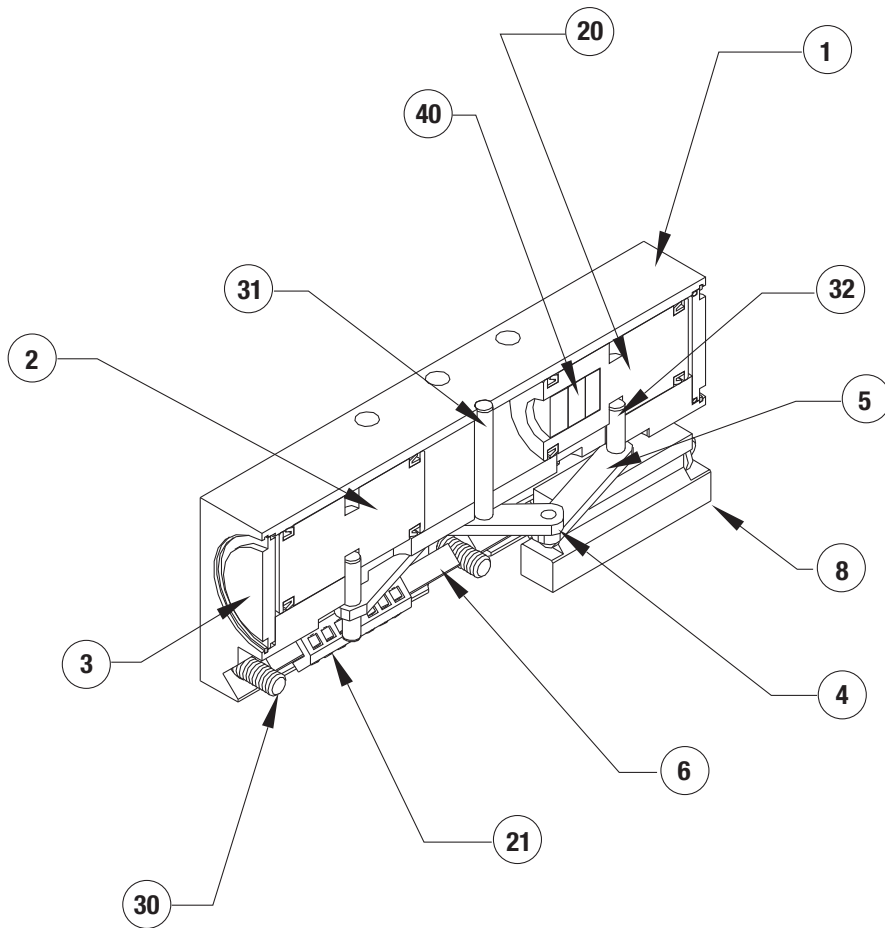
Teflon™ Based Grease



Super Bonder



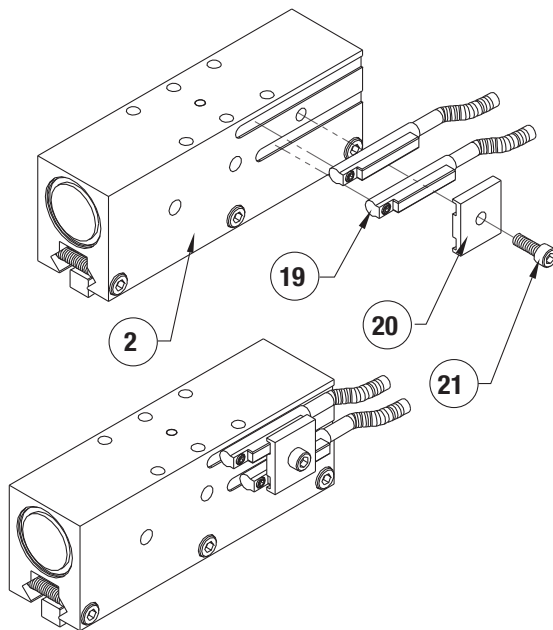
Third Angle Projection



Item	Qty	Name
01	1	Body
02	1	Piston
03	2	Cap
04	1	Equalizer
05	2	Link
06	4	Way
08	2	Jaw
13	2	Bearing,Roller
20	1	Piston W/Magnet Slot
21	4	S'assy,Cage & Rollers
30	3	SHCS
31	1	Dowel Pin
32	2	Dowel Pin
40	2	Magnet

NOTE: Contact the Robohand Sales Department for a complete spare parts list with order numbers and prices.

ACCESSORY INSTALLATION & ADJUSTMENT INSTRUCTIONS



Installation

1. Install sensors as shown.
2. Adjust for desired end of stroke detection.



Seal Kit
Items



Thread
Locker



Krytox™
Lubricant



Lightweight
Machine Oil



Teflon™ Based
Grease



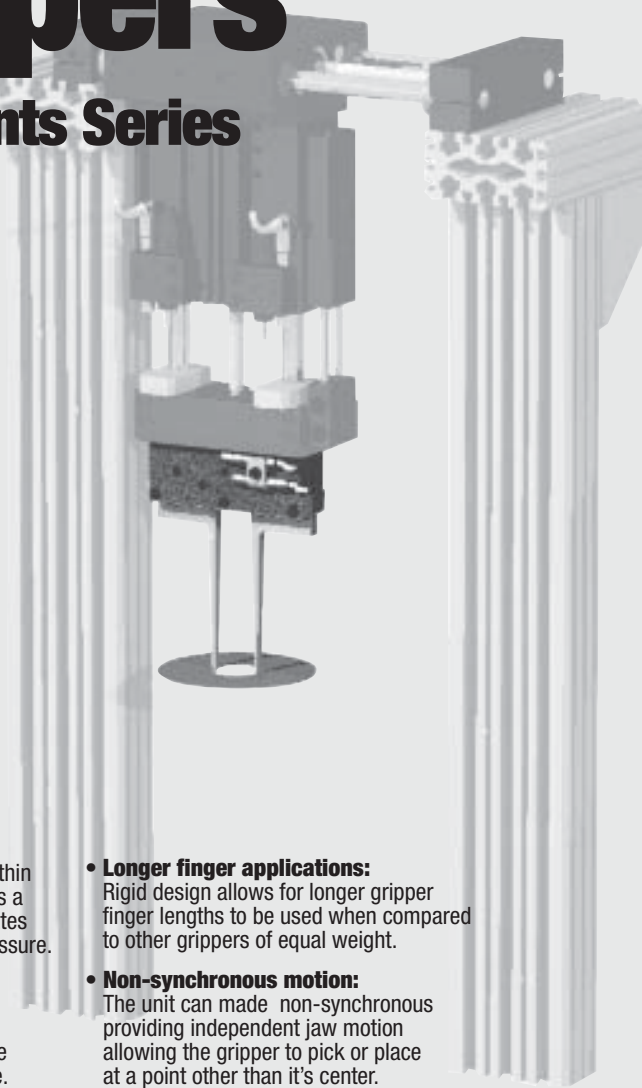
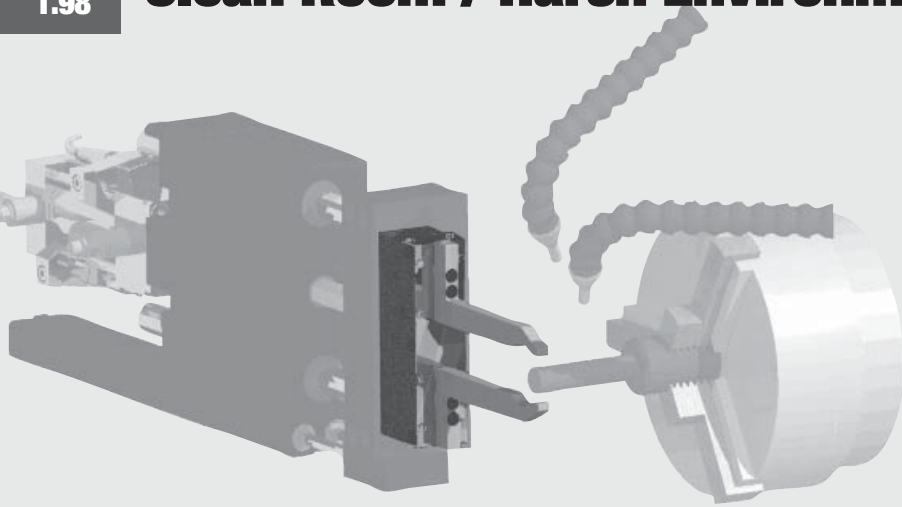
Super
Bond



Third Angle
Projection

Parallel Grippers

Clean Room / Harsh Environments Series



- **Precision applications:**

Preloaded "Dual-V" roller bearings eliminate side play for excellent part position repeatability.

- **Clean Room rated:**

A corrosion resistant shield protects the drive and bearing mechanism. All internal components are lubricated with clean room grade lubricant. The scavenge port can be used with vacuum pressure to prevent escape of particulate generated by the internal mechanism.

- **Harsh environments:**

All moving components are located within the stainless steel shield. The body has a purge port which can expel contaminants from the mechanism using low air pressure.

- **Repeatable grip force:**

Low friction mechanism allows for consistent, repeatable gripping forces. To grip delicate parts, grip force can be easily altered by adjusting air pressure.

- **Longer finger applications:**

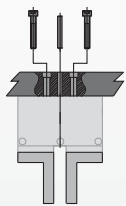
Rigid design allows for longer gripper finger lengths to be used when compared to other grippers of equal weight.

- **Non-synchronous motion:**

The unit can be made non-synchronous providing independent jaw motion allowing the gripper to pick or place at a point other than its center.

Mounting Information:

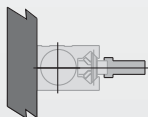
Gripper can be mounted and operated in any orientation



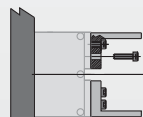
Body mounts with screws and locates with slip fit dowel pins for accuracy



Shields provide protection from falling debris when mounted upside down



Fingers attach to jaws with screws and locate by keying



Technical Specifications:

Pneumatic Specifications

Pressure Operating Range
Cylinder Type
Dynamic Seals
Valve Required to Operate

Imperial
5-100 psi
Metric
.3-7 bar
Dual Double Acting
Internally Lubricated Buna-N
4-way, 2-position

Air Quality Requirements

Air Filtration
Air Lubrication
Air Humidity

40 Micron or Better
Not Necessary*
Low Moisture Content (dry)

Temperature Operating Range

Buna-N Seals (standard)
Viton® Seals (optional)

-30°~180° F
-20°~250° F
-35°~80° C
-30°~120° C

Maintenance Specifications†

Expected Life
Normal Application
w/ Preventative Maintenance
Field Repairable
Seal Repair Kits Available

5 million cycles
10+ million cycles*
Yes
Yes

*Addition of lubrication will greatly increase service life
† See Maintenance Section

Product Features

Pre-Load Adjustment Screws
Adjustable preload screws allow for adjustment of preload on roller bearings

Hard Coat Anodize
The body has hard-coat anodize 60 RC with Teflon® impregnation

Clean-Room Lubrication
Units are lubricated with a clean-room grade grease

Quality Components
Internal components are made from hardened bearing & tool steels
External components are made from corrosion resistant materials for resistance to de-ionized water or for use in FDA & medical parts handling applications

Self Lubricating Seals
Self lubricating dynamic seals (Buna-N only)

One Piece Body
One piece lightweight aluminum body

Dowel Holes
Slip fit dowel pin holes in body

Sensors
Reads position of jaw (Sold Separately-See "How to Order" Section for more info)

Accessory Mounting Holes

Patented Bearing Support
Dual "V" roller bearings provide low friction rolling motion

Preloaded Bearings
Roller bearings are preloaded for maximum support and zero side play

Purge/Scavenge Port
For extreme environments from dirty & gritty to clean-room Class 10 or better

Stainless Steel Shields
Stationary and non-contacting shields eliminate the possibility of particle generation.

High Grip Force
High grip force with respect to weight due to extremely efficient drive mechanism

Stainless Steel Screws
Provides protection against corrosion

Non-Synchronous Operation Available

Operating Principle

Body

Equalizer

Sensor Magnet Standard

Piston

Drive Pin

Cap

Scavenge or Purge Port
For clean room or harsh environments

Roller Way

Roller Bearings & Cages

Synchronizing Bar

Jaw

Shields

Open Position

Pressure Exhaust

Exhaust Pressure

Pressure Exhaust

Closed Position

- Dual double acting opposed pistons, connected to both a jaw and a synchronizing bar by a drive pin, actuate in opposite directions.
- The synchronizing bars are connected to the equalizer which synchronizes the motion.
- The purge/scavenge port can be used to expel or retain contaminants using pressure or vacuum respectively.
- Suitable for internal or external gripping.
- The synchronizing elements can be removed for non-synchronous operation.

U.S. Patent # 5,529,359
Designed and manufactured in the USA

Style-RPLC Parallel Gripper

Size -1M

Style:	RPLC-1	RPLC-1M
Stroke:	0.25 in.	6.4 mm
Grip Force:	26 lb	116 N
Weight:	.16 lb	.07 Kg



See Page **1.100**

Style-RPLC Parallel Gripper

Size -2M

Style:	RPLC-2	RPLC-2M
Stroke:	0.50 in.	12.7 mm
Grip Force:	26 lb	116 N
Weight:	.20 lb	.09 Kg



See Page **1.101**

Style-RPLC Parallel Gripper

Size -3M

Style:	RPLC-3	RPLC-3M
Stroke:	0.75 in.	19.1 mm
Grip Force:	36 lb	160 N
Weight:	.32 lb	.15 Kg



See Page **1.102**

Style-RPLC Parallel Gripper

Size -4M

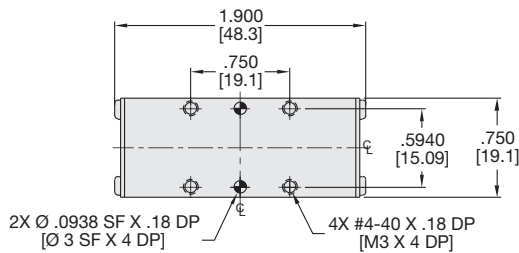
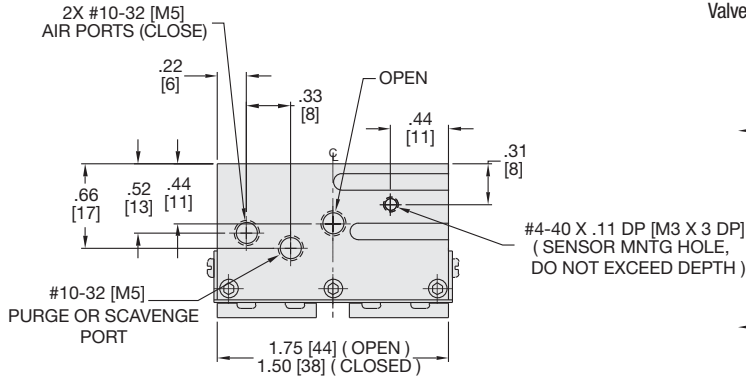
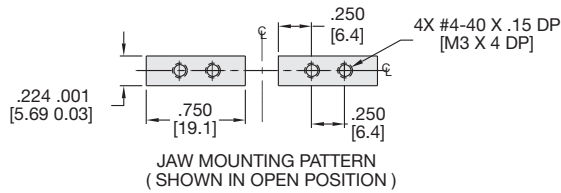
Style:	RPLC-4	RPLC-4M
Stroke:	1.00 in.	25.4 mm
Grip Force:	36 lb	160 N
Weight:	.38 lb	.17 Kg



See Page **1.103**

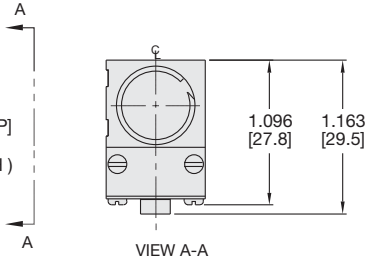
PARALLEL GRIPPER RPLC-1M PRECISION DUAL "V" CLEAN ROOM SERIES

1.100



Specifications

	RPLC-1	RPLC-1M
Total Rated Grip Force F @ 100 psi, 7 bar	26 lb	116 N
Stroke	0.25 in.	6.4 mm
Weight	0.16 lb	0.07 Kg
Pressure Range	5-100 psi	0.3-7 bar
Cylinder Bore Ø	0.438 in.	11.1 mm
Displacement	0.038 in ³	0.6 cm ³
Temperature Range		
Standard Seals	-30°~180° F	-35°~80° C
Viton® Seals	-20°~250° F	-30°~120° C
Actuation	0.10 sec.	0.10 sec.
Accuracy	±0.002 in.	±0.05 mm
Repeatability	±0.001 in.	±0.03 mm
Valve required to actuate	4-way, 2-position	

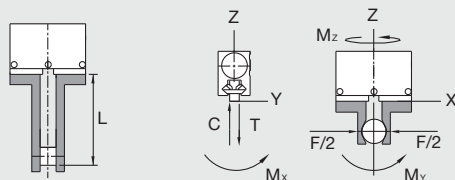
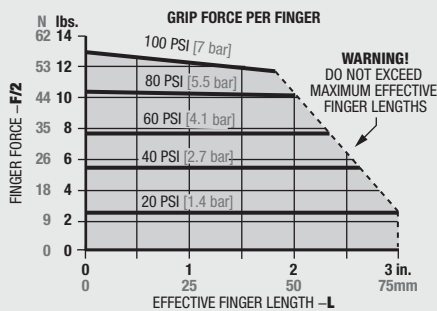


UNLESS OTHERWISE NOTED ALL TOLERANCES ARE AS SHOWN BELOW

Dimensions are symmetrical about centerline	Third Angle Projection	All Dowel Holes are SF (Slip Fit). Locational Tolerance ±.0005" or [±.013mm]
Metric Threads Course Pitch	Imperial in. 0.00 = ±.01 0.000 = ±.005 0.0000 = ±.0005	Metric [mm] [0.] = [±.25] [0.0] = [±.13] [0.00] = [±.013]

Loading Information

How to Order: (Order Accessories separately from Basic Model)



Loading Capacity†	Static		Dynamic	
	Imperial	Metric	Imperial	Metric
Maximum Tensile T	50 lbs.	222 N	15 lbs.	67 N
Maximum Compressive C	50 lbs.	222 N	15 lbs.	67 N
Maximum Moment M_x	30 in.-lbs.	3.4 Nm	10 in.-lbs.	1.1 Nm
Maximum Moment M_y	40 in.-lbs.	4.5 Nm	12 in.-lbs.	1.4 Nm
Maximum Moment M_z	30 in.-lbs.	3.4 Nm	10 in.-lbs.	1.1 Nm

†Capacities are per set of jaws and are not simultaneous

BASIC MODEL **NON-SYNCHRONOUS**

RPLC-1 M - NS - V

METRIC **VITON® SEALS**

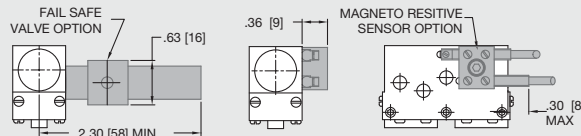
SENSOR ACCESSORIES†

	ORDER #	QTY/UNIT
Sensor Mounting Kit for Imperial & Metric Units (mounts 2 sensors)	OSMK-008	1
NPN Magneto Resistive Sensor with Quick Disconnect*	OHSN-017	1 or 2
PNP Magneto Resistive Sensor with Quick Disconnect*	OHSP-017	1 or 2
Quick Disconnect 2 Meter Cable Length*	CABL-010	1 or 2
Quick Disconnect 5 Meter Cable Length*	CABL-013	1 or 2

PNEUMATIC ACCESSORIES

	ORDER #	QTY/UNIT
Fail Safe Valve (Imperial)	OFSV-001	1
Fail Safe Valve (Metric)	OFSV-004	1
Standard Seal Repair Kit	SLKT-010	1
Viton® Seal Repair Kit	SLKT-010V	1

*Sensor and cable sold separately †Piston magnet standard

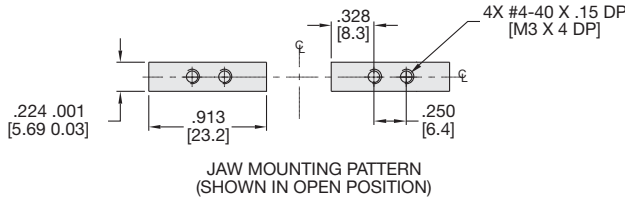




PARALLEL GRIPPER RPLC-2M PRECISION DUAL "V" CLEAN ROOM SERIES

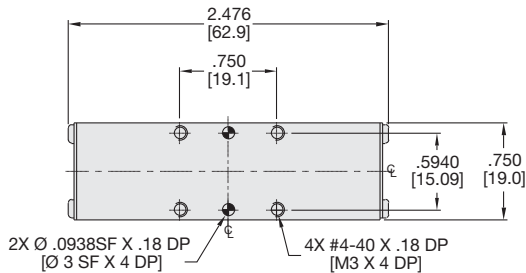
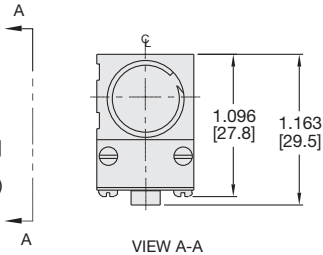
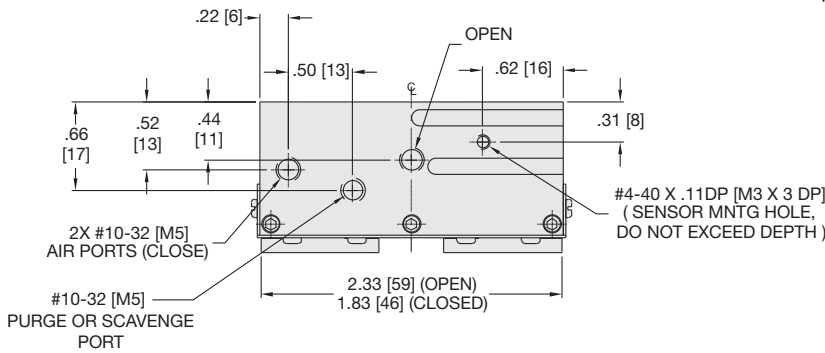
RPLC SERIES

1.101



Specifications

	RPLC-2	RPLC-2M
Total Rated Grip Force F @ 100 psi, 7 bar	26 lb	116 N
Stroke	0.50 in.	12.7 mm
Weight	0.20 lb	0.09 Kg
Pressure Range	5-100 psi	0.3-7 bar
Cylinder Bore \varnothing	0.438 in.	11.1 mm
Displacement	0.075 in ³	1.2 cm ³
Temperature Range		
Standard Seals	-30°~180° F	-35°~80° C
Viton® Seals	-20°~250° F	-30°~120° C
Actuation	0.13 sec.	0.13 sec.
Accuracy	±0.002 in.	±0.05 mm
Repeatability	±0.001 in.	±0.03 mm
Valve required to actuate	4-way, 2-position	

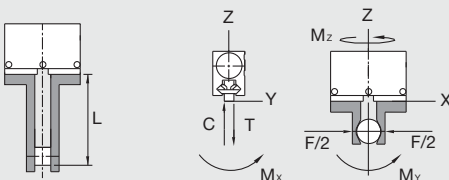
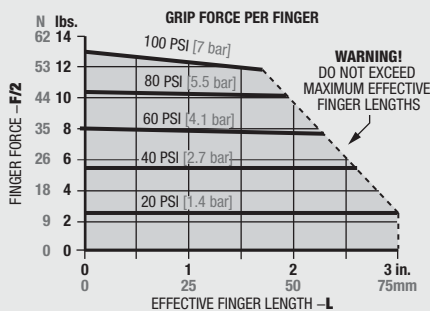


UNLESS OTHERWISE NOTED ALL TOLERANCES ARE AS SHOWN BELOW

Dimensions are symmetrical about centerline	Third Angle Projection	All Dowel Holes are SF (Slip Fit). Locational Tolerance ±.0005" or [±.013mm]
Metric Threads Course Pitch	Imperial in. 0.00 = ±.01 0.000 = ±.005 0.0000 = ±.0005	Metric [mm] [0.] = [±.25] [0.0] = [±.13] [0.00] = [±.013]

Loading Information

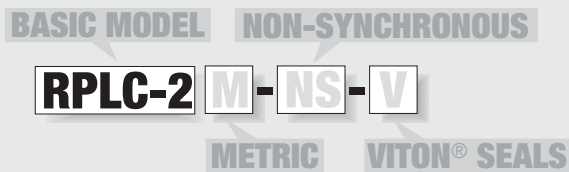
How to Order: (Order Accessories separately from Basic Model)



Loading Capacity†

	Static		Dynamic	
	Imperial	Metric	Imperial	Metric
Maximum Tensile T	65 lbs.	289 N	20 lb	89 N
Maximum Compressive C	65 lbs.	289 N	20 lb	89 N
Maximum Moment M_x	45 in.-lbs.	5.1 Nm	15 in.-lbs.	1.7 Nm
Maximum Moment M_y	60 in.-lbs.	6.8 Nm	20 in.-lbs.	2.3 Nm
Maximum Moment M_z	45 in.-lbs.	5.1 Nm	15 in.-lbs.	1.7 Nm

†Capacities are per set of jaws and are not simultaneous



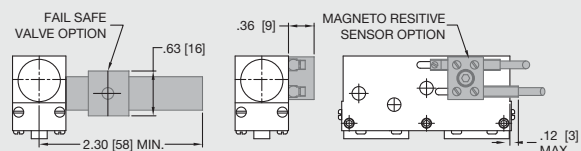
SENSOR ACCESSORIES†

	ORDER #	QTY/UNIT
Sensor Mounting Kit for Imperial & Metric Units (mounts 2 sensors)	OSMK-008	1
NPN Magneto Resistive Sensor with Quick Disconnect*	OHSN-017	1 or 2
PNP Magneto Resistive Sensor with Quick Disconnect*	OHSP-017	1 or 2
Quick Disconnect 2 Meter Cable Length*	CABL-010	1 or 2
Quick Disconnect 5 Meter Cable Length*	CABL-013	1 or 2

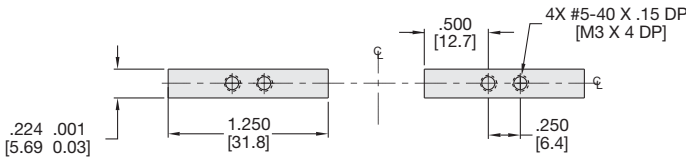
PNEUMATIC ACCESSORIES

Fail Safe Valve (Imperial)	OFSV-001	1
Fail Safe Valve (Metric)	OFSV-004	1
Standard Seal Repair Kit	SLKT-010	1
Viton® Seal Repair Kit	SLKT-010V	1

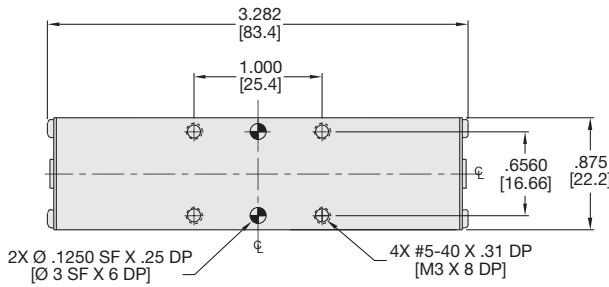
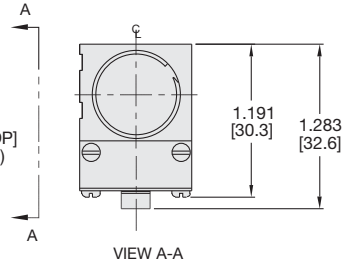
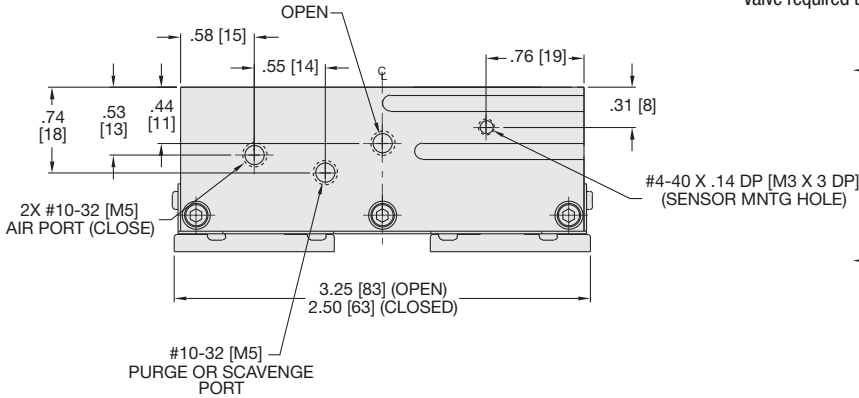
*Sensor and cable sold separately †Piston magnet standard



PARALLEL GRIPPER RPLC-3M PRECISION DUAL "V" CLEAN ROOM SERIES



JAW MOUNTING PATTERN
(SHOWN IN OPEN POSITION)

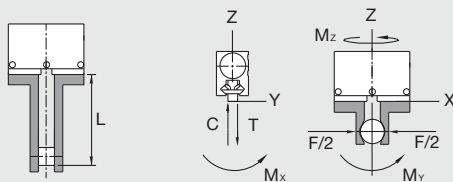
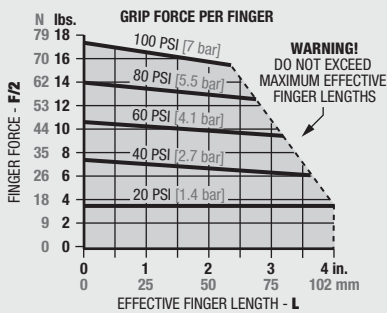


UNLESS OTHERWISE NOTED ALL TOLERANCES ARE AS SHOWN BELOW

Dimensions are symmetrical about centerline	Third Angle Projection	All Dowel Holes are SF (Slip Fit). Locational Tolerance ±.0005" or [±.013mm]
Metric Threads Course Pitch	Imperial in. 0.00 = ±.01 0.000 = ±.005 0.0000 = ±.0005	Metric [mm] [0.] = [±.25] [0.0] = [±.13] [0.00] = [±.013]

Loading Information

How to Order: (Order Accessories separately from Basic Model)



BASIC MODEL NON-SYNCHRONOUS
RPLC-3 M - NS - V
METRIC VITON® SEALS

SENSOR ACCESSORIES[†]

	ORDER #	QTY/UNIT
Sensor Mounting Kit for Imperial & Metric Units (mounts 2 sensors)	OSMK-008	1
NPN Magneto Resistive Sensor with Quick Disconnect*	OHSN-017	1 or 2
PNP Magneto Resistive Sensor with Quick Disconnect*	OHSP-017	1 or 2
Quick Disconnect 2 Meter Cable Length*	CABL-010	1 or 2
Quick Disconnect 5 Meter Cable Length*	CABL-013	1 or 2

PNEUMATIC ACCESSORIES

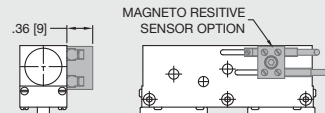
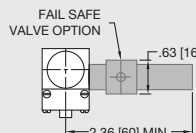
Fail Safe Valve (Imperial)	OFSV-001	1
Fail Safe Valve (Metric)	OFSV-004	1
Standard Seal Repair Kit	SLKT-012	1
Viton® Seal Repair Kit	SLKT-012V	1

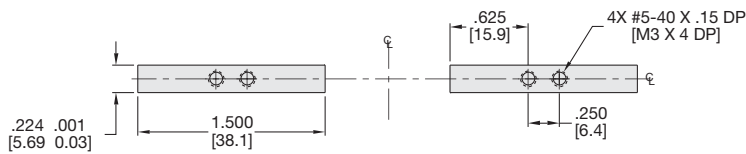
*Sensor and cable sold separately †Piston magnet standard

Loading Capacity[†]

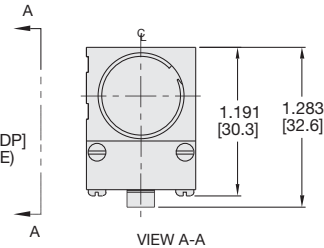
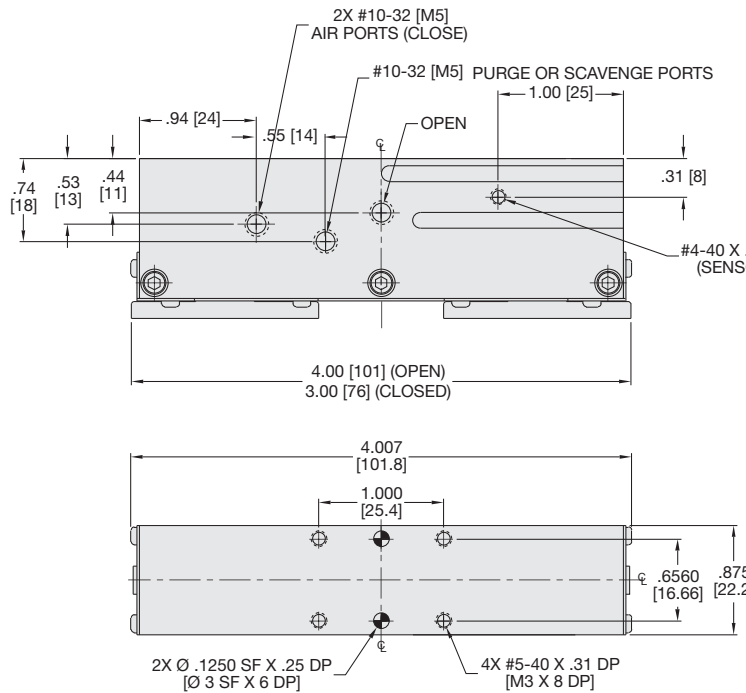
	Static		Dynamic	
	Imperial	Metric	Imperial	Metric
Maximum Tensile T	90 lbs.	400 N	30 lbs.	133 N
Maximum Compressive C	90 lbs.	400 N	30 lbs.	133 N
Maximum Moment M_x	60 in.-lbs.	6.8 Nm	20 in.-lbs.	2.3 Nm
Maximum Moment M_y	80 in.-lbs.	9.0 Nm	25 in.-lbs.	2.8 Nm
Maximum Moment M_z	60 in.-lbs.	6.8 Nm	20 in.-lbs.	2.3 Nm

[†]Capacities are per set of jaws and are not simultaneous





JAW MOUNTING PATTERN (SHOWN IN OPEN POSITION)



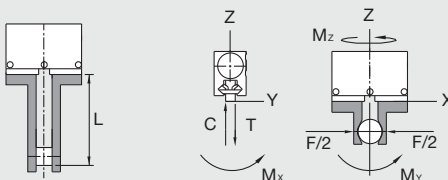
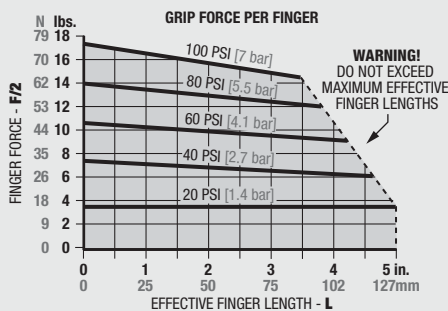
Specifications	RPLC-4	RPLC-4M
Total Rated Grip Force F @ 100 psi, 7 bar	36 lb	160 N
Stroke	1.00 in.	25.4 mm
Weight	0.38 lb	0.17 Kg
Pressure Range	5-100 psi	0.3-7 bar
Cylinder Bore Ø	0.500 in.	12.7 mm
Displacement	0.196 in ³	3.2 cm ³
Temperature Range		
Standard Seals	-30°~180° F	-35°~80° C
Viton® Seals	-20°~250° F	-30°~120° C
Actuation	0.19 sec.	0.19 sec.
Accuracy	±0.002 in.	±0.05 mm
Repeatability	±0.001 in.	±0.03 mm
Valve required to actuate	4-way, 2-position	

UNLESS OTHERWISE NOTED ALL TOLERANCES ARE AS SHOWN BELOW

Dimensions are symmetrical about centerline	Third Angle Projection	All Dowel Holes are SF (Slip Fit). Locational Tolerance ±.0005" or [±.013mm]
Metric Threads Course Pitch	Imperial in. 0.00 = ±.01 0.000 = ±.005 0.0000 = ±.0005	Metric [mm] [0.] = [±.25] [0.0] = [±.13] [0.00] = [±.013]

Loading Information

How to Order: (Order Accessories separately from Basic Model)



Loading Capacity†	Static		Dynamic	
	Imperial	Metric	Imperial	Metric
Maximum Tensile T	120 lbs.	534 N	40 lbs.	178 N
Maximum Compressive C	120 lbs.	534 N	40 lbs.	178 N
Maximum Moment M_x	75 in.-lbs.	8.5 Nm	25 in.-lbs.	2.8 Nm
Maximum Moment M_y	100 in.-lbs.	11.3 Nm	35 in.-lbs.	4.0 Nm
Maximum Moment M_z	75 in.-lbs.	8.5 Nm	25 in.-lbs.	2.8 Nm

†Capacities are per set of jaws and are not simultaneous

BASIC MODEL **NON-SYNCHRONOUS**

RPLC-4 M - NS - V

METRIC **VITON® SEALS**

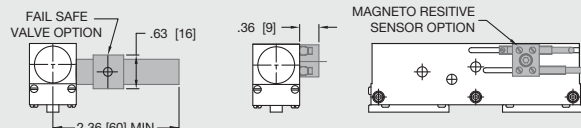
SENSOR ACCESSORIES†

	ORDER #	QTY/UNIT
Sensor Mounting Kit for Imperial & Metric Units (mounts 2 sensors)	OSMK-008	1
NPN Magneto Resistive Sensor with Quick Disconnect*	OHSN-017	1 or 2
PNP Magneto Resistive Sensor with Quick Disconnect*	OHSP-017	1 or 2
Quick Disconnect 2 Meter Cable Length*	CABL-010	1 or 2
Quick Disconnect 5 Meter Cable Length*	CABL-013	1 or 2

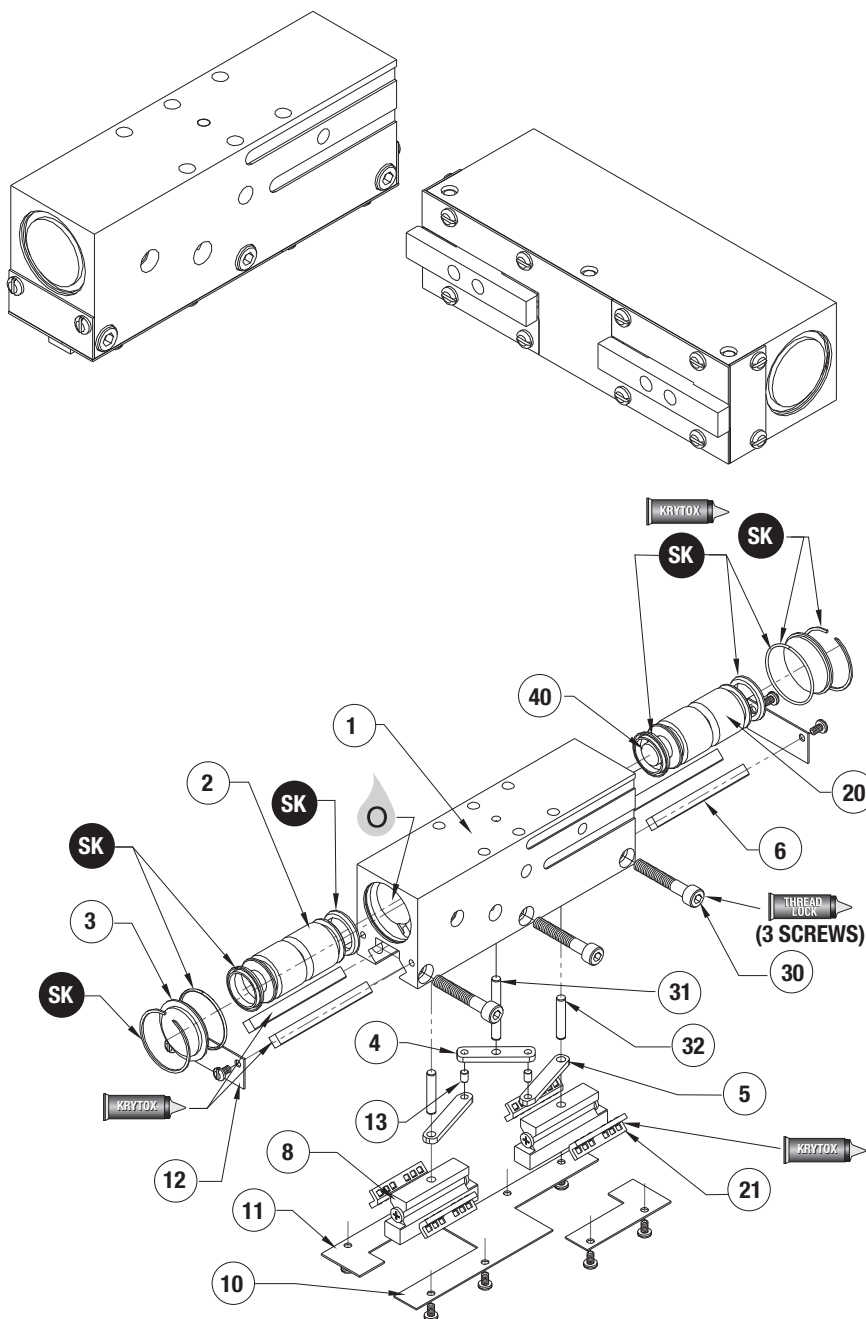
PNEUMATIC ACCESSORIES

Fail Safe Valve (Imperial)	OFSV-001	1
Fail Safe Valve (Metric)	OFSV-004	1
Standard Seal Repair Kit	SLKT-012	1
Viton® Seal Repair Kit	SLKT-012V	1

*Sensor and cable sold separately †Piston magnet standard



RPLC SERIES EXPLODED VIEW



Item	Qty	Name
01	1	Body
02	1	Piston
03	2	Cap
04	1	Equalizer
05	2	Link
06	4	Way
08	2	Jaw
10	1	Cover, Bottom
11	2	Cover, Bottom, Corners
12	2	Cover, End
13	2	Bearing, Roller
20	1	Piston W/Magnet Slot
21	4	S'assy, Cage & Rollers
30	3	SHCS
31	1	Dowel Pin
32	2	Dowel Pin
40	2	Magnet

Note: contact the robohand sales department for a complete spare parts list with order numbers and prices.

Assembly procedure

- 1) Lubricate and install seals.
- 2) Glue magnets into one piston, install pistons, caps and retaining rings.
- 3) Press dowel pin into center of body.
- 4) Place links and equalizers into body.
- 5) Press dowel pins into jaws.
- 6) Place jaws through links and into pistons.
- 7) Install cages on jaws.
- 8) Place ways behind cages with flat facing out and install screws.
- 9) Adjust preload.
- 10) Install bottom cover, bottom cover corners and end covers.

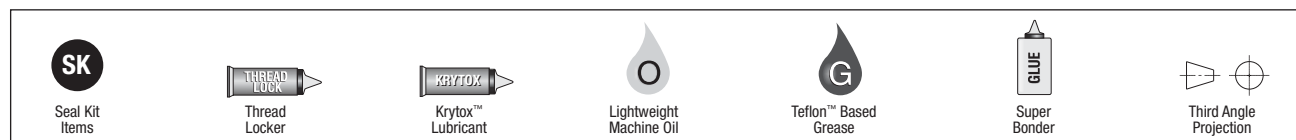
Preload adjustment procedure

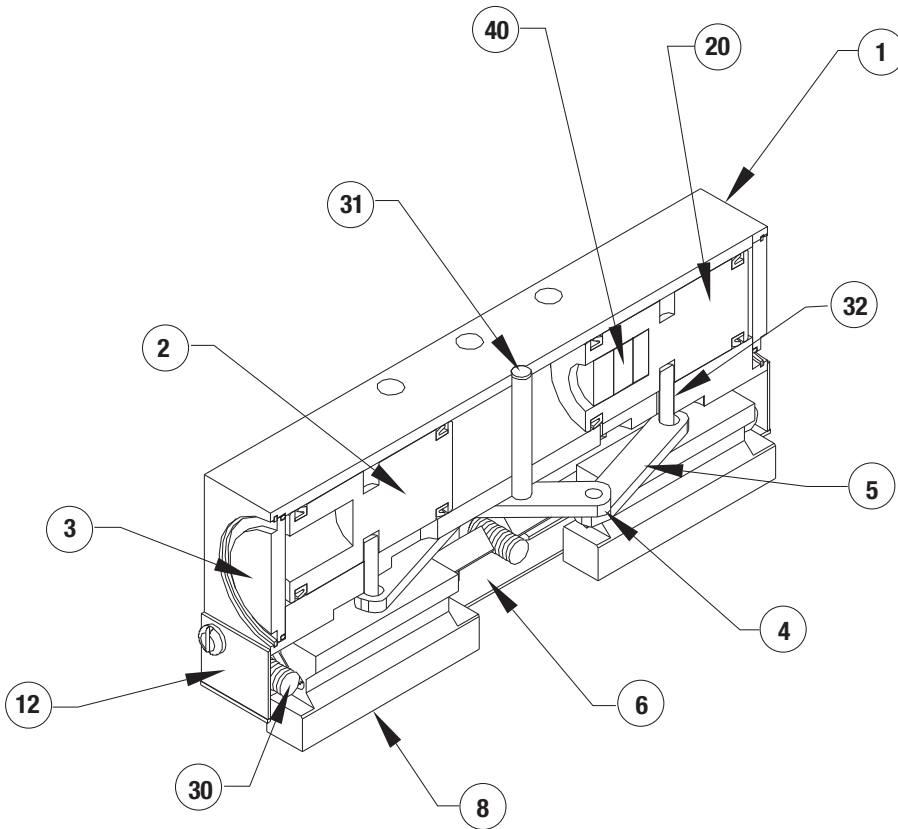
- 1) Tighten center screw (#30) so that fingers preload adjustment procedure
- 2) Tighten outer screws in the same fashion. Bind slightly.
- 3) Cycle the gripper.
- 4) Re-adjust screws so that when you push the cage, the finger moves freely. (the finger movement should not feel gritty.)

Non-synchronous procedure

- 1) Remove end covers, bottom cover corners, and bottom cover.
- 2) Remove preload screws (#30) and ways.
- 3) Remove cages, jaws and dowel pins.
- 4) Remove equalizer, links, and roller bearings.
- 5) Re-assemble jaws and dowel pins into pistons.
- 6) Re-install cages on jaws.
- 7) Place ways behind cages with flat facing out and
- 8) Adjust preload. Install preload screws.
- 9) Re-attach bottom cover, bottom cover corners and end covers. Gripper is now non-synchronous.

**SK Seal Repair Kit Order #'s
See Product Data Sheets**

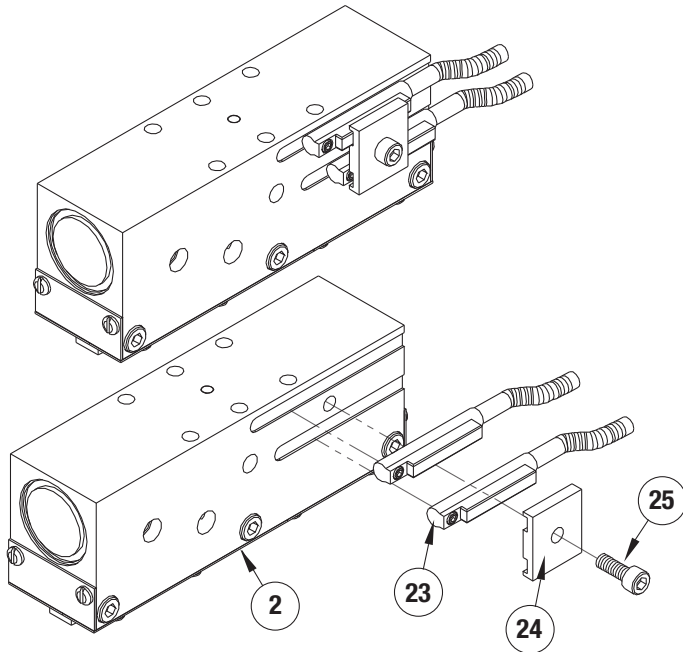




Item	Qty	Name
01	1	Body
02	1	Piston
03	2	Cap
04	1	Equalizer
05	2	Link
06	4	Way
08	2	Jaw
10	1	Cover, Bottom
11	2	Cover, Bottom, Corners
12	2	Cover, End
13	2	Bearing, Roller
20	1	Piston W/Magnet Slot
21	4	S'assy, Cage & Rollers
30	3	SHCS
31	1	Dowel Pin
32	2	Dowel Pin
40	2	Magnet

Note: contact the robohand sales department for a complete spare parts list with order numbers and prices.

ACCESSORY INSTALLATION & ADJUSTMENT INSTRUCTIONS



Installation

- 1) Install sensors as shown.
- 2) Adjust for desired end of stroke detection.



Seal Kit
Items



Thread
Locker



Krytox™
Lubricant



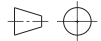
Lightweight
Machine Oil



Teflon™ Based
Grease



Super
Bonder



Third Angle
Projection