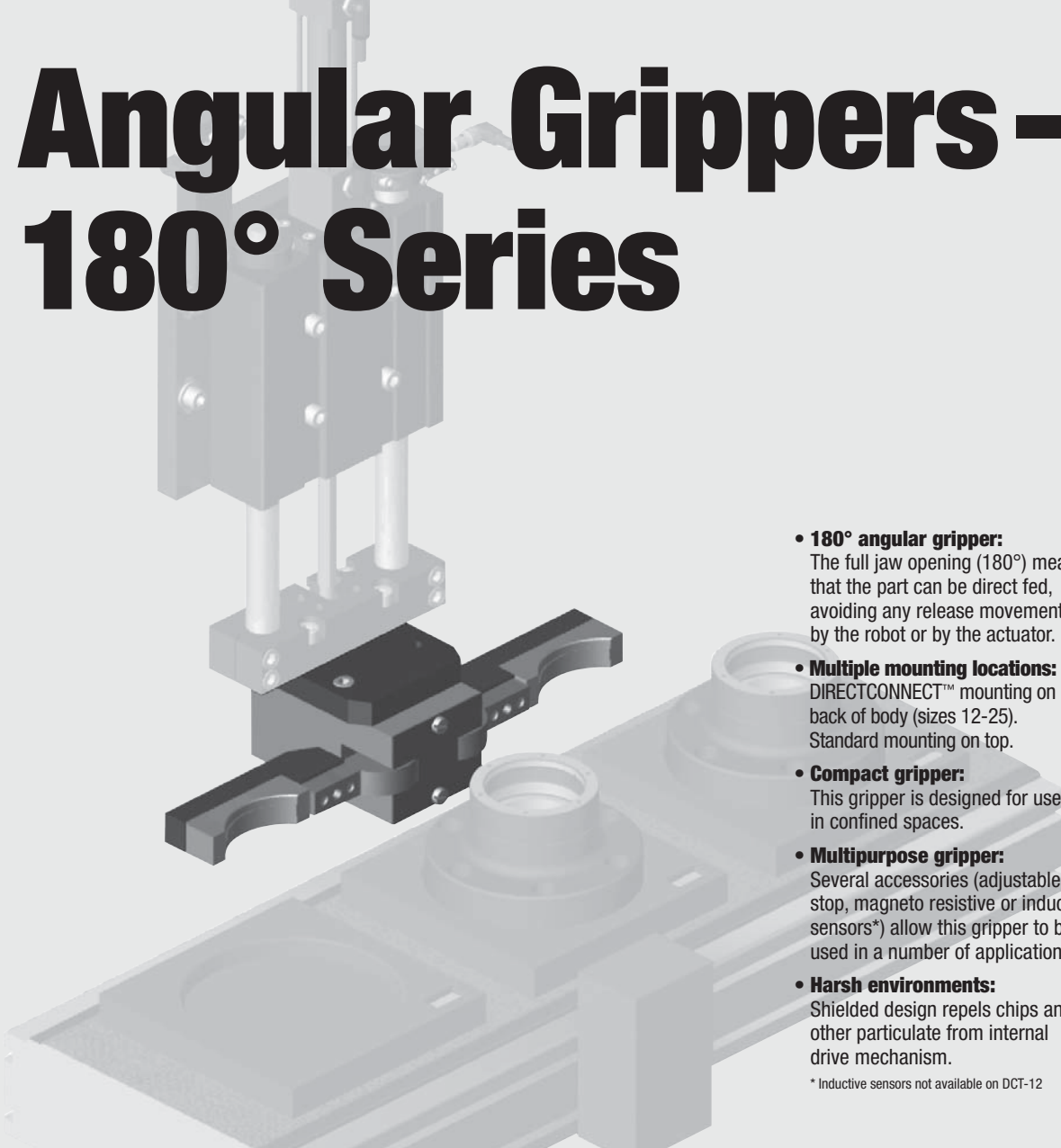


Angular Grippers - 180° Series

DCT/CT SERIES

2.32



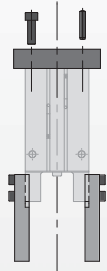
- 180° angular gripper:**
 The full jaw opening (180°) means that the part can be direct fed, avoiding any release movement by the robot or by the actuator.
- Multiple mounting locations:**
 DIRECTCONNECT™ mounting on back of body (sizes 12-25). Standard mounting on top.
- Compact gripper:**
 This gripper is designed for use in confined spaces.
- Multipurpose gripper:**
 Several accessories (adjustable stop, magneto resistive or inductive sensors*) allow this gripper to be used in a number of applications.
- Harsh environments:**
 Shielded design repels chips and other particulate from internal drive mechanism.

* Inductive sensors not available on DCT-12

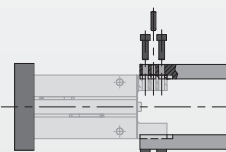
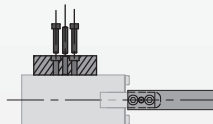
Mounting Information:

Gripper can be mounted and operated in any orientation

Gripper is located from the top with 2 dowel pins and assembled with 2 screws.



DIRECTCONNECT mounting pattern: Gripper is located with 2 dowel pins and assembled with 4 screws. Alternative pattern: Gripper is located with 2 dowel pins and assembled with 2 screws.



Fingers are centered over the jaws, located with 1 dowel pin and assembled with 2 screws.



The gripper is protected from falling debris when it is mounted and operated upside down.

Gripper can be operated utilizing top manifold air ports.

Technical Specifications:

Pneumatic Specifications	Imperial	Metric
Pressure Operating Range	40-100 psi	3-7 bar
Cylinder Type	Double Acting	
Dynamic Seals	Internally Lubricated Buna-N	
Valve Required to Operate	4-way, 2-position	

Air Quality Requirements

Air Filtration	40 Micron or Better	
Air Lubrication	Not Necessary*	
Air Humidity	Low Moisture Content (dry)	

Temperature Operating Range

Buna-N Seals (Standard)	-30°~180° F	-35°~80° C
Viton® Seals (Optional)	-20°~300° F	-30°~150° C

Maintenance Specifications†

Expected Life	5 million cycles
Normal Application	10+ million cycles*
w/ Preventative Maintenance	Yes
Field Repairable	Yes
Seal Repair Kits Available	Yes

*Addition of lubrication will greatly increase service life
 † See Maintenance Section

DIRECTCONNECT™

Product Features

Gripper Attachment

Gripper mounting from side or bottom

Adjustable Stop

Accessory (BR) in order to adjust the opening of jaws, between 0° to 180°

Viton Seals

Viton seals for high temperatures (-20°F to +300°F / -30°~150° C) are optional

Quality Components

Made from aluminum alloy anodized with Teflon™ impregnation. The gripper's main components are made of heat treated steel.

Inductive Sensor Mounting Kit

Accessory (SD) in order to sense jaw position. Comes with 2 holders for tubular sensors and 2 adjustable flags (except size -12).

Magneto Resistive Sensor Mounting Kit

Standard mounting slots for magneto resistive sensors. (sensors sold separately)

Shielded Plate and Wiper Covers

Gripper body is shielded to repel chips and other particulate from internal drive mechanism

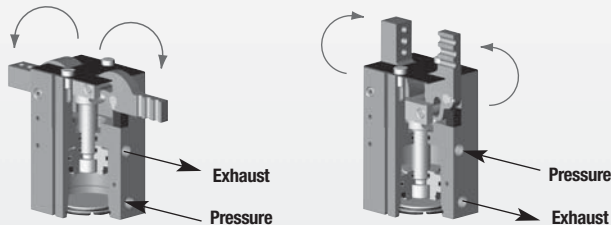
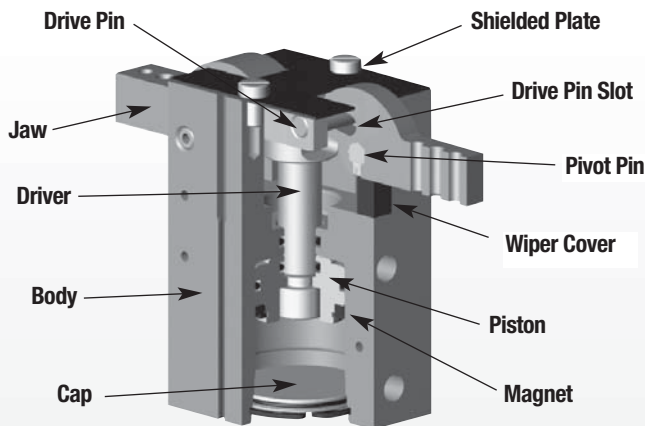
DIRECTCONNECT Mounting Patterns

DIRECTCONNECT™ mounting surface on back of body (sizes 12-25)

Multiple Air Ports

Side or top air ports (top ports require O-ring)

Operating Principle



- A double acting piston, with a ring magnet for magneto resistive sensing, is connected to a fork driver on which 2 drive pins are fixed.
- Jaw rotation is synchronized with the drive pin-jaw assembly.
- Sliding in these slots, drive pins convert vertical motion of the piston into rotating opposite synchronous motion of both jaws.
- Each jaw has a useful rotation stroke of 90°, between the 90° open position and the 0° gripping position, plus a gripping over-stroke of approximately 1.5° before reaching the fully gripped position. Jaws have to be designed for a 0° gripping position (parallel jaws)

Style-DCT Angular Gripper

Size -12M

Style: DCT-12M
Stroke: 90° each finger
Grip Force: 7.2 lbs 32 N
Weight: 0.20 lbs 0.09 Kg



See Page **2.34**

Style-DCT Angular Gripper

Size -16M

Style: DCT-16M
Stroke: 90° each finger
Grip Force: 16 lbs 70 N
Weight: 0.35 lbs 0.16 Kg



See Page **2.35**

Style-DCT Angular Gripper

Size -20M

Style: DCT-20M
Stroke: 90° each finger
Grip Force: 25 lbs 112 N
Weight: 0.62 lbs 0.28 Kg



See Page **2.36**

Style-DCT Angular Gripper

Size -25M

Style: DCT-25M
Stroke: 90° each finger
Grip Force: 35 lbs 157 N
Weight: 1.08 lbs 0.49 Kg



See Page **2.37**

Style-CT Angular Gripper

Size -32M

Style: CT-32M
Stroke: 90° each finger
Grip Force: 61 lbs 272 N
Weight: 1.59 lbs 0.72 Kg



See Page **2.38**

Style-CT Angular Gripper

Size -40M

Style: CT-40M
Stroke: 90° each finger
Grip Force: 100 lbs 446 N
Weight: 2.60 lbs 1.18 Kg



See Page **2.39**

Style-CT Angular Gripper

Size -50M

Style: CT-50M
Stroke: 90° each finger
Grip Force: 146 lbs 651 N
Weight: 4.00 lbs 1.82 Kg



See Page **2.40**

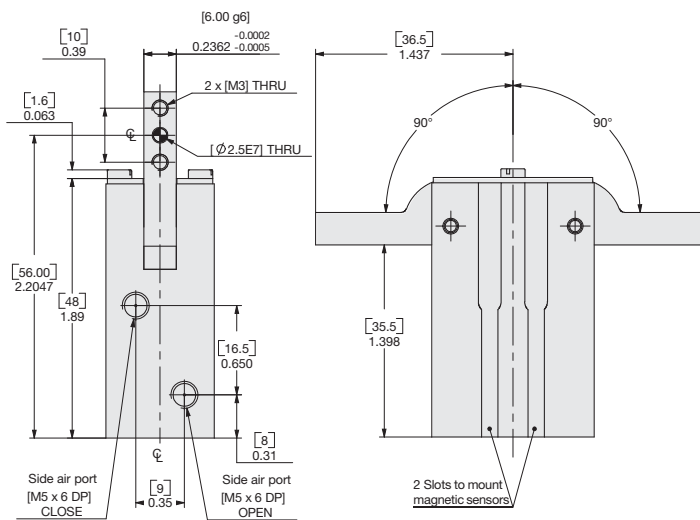
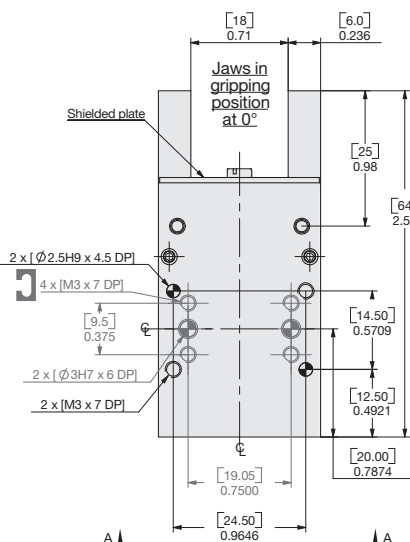


ANGULAR GRIPPER DCT-12M 180° SERIES



DCT SERIES

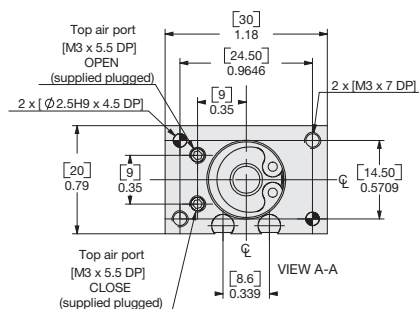
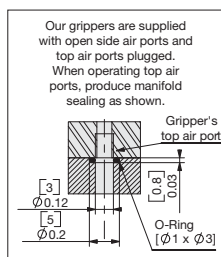
2.34



Specifications

DCT-12M

Total Rated Grip Force, F @ 100 psi [7 bar]	7.2 lbs.	32 N
L = 1 in. [25mm] @ 0°		
Stroke	90° of stroke for each finger	
Weight	0.20 lbs.	0.09 Kg
Pressure Range	40-100 psi	3-7 Bar
Cylinder Bore Ø	0.472 in.	12 mm
Displacement	0.117 in ³	1.92 cm ³
Temperature Range		
Standard Seals	-30°~180° F	-35°~80° C
Viton® Seals	-20°~300° F	-30°~150° C
Actuation	0.06 sec.	0.06 sec.
Accuracy	±0.0028 in.	±0.07 mm
Repeatability	±0.002 in.	±0.05 mm
Valve required to actuate	4-way, 2-position	



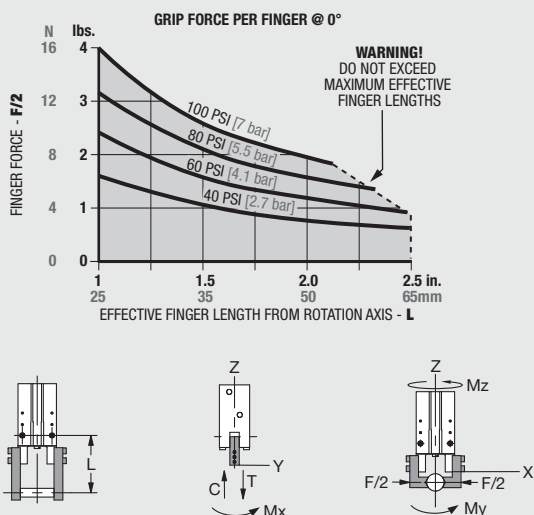
UNLESS OTHERWISE NOTED ALL TOLERANCES ARE AS SHOWN BELOW

Dimensions are symmetrical about centerline	Third Angle Projection	All Dowel Holes are SF (Slip Fit). Locational Tolerance ±.0005" or (±.013mm)	Metric Threads Course Pitch	Imperial in. 0.00 = ±.01 0.000 = ±.005 0.0000 = ±.0005	Metric [mm] [0.] = [±.25] [0.0] = [±.13] [0.00] = [±.013]
---	------------------------	--	-----------------------------	--	---

NOTE: Jaws have to be designed for a 0° gripping position (parallel jaws). Jaws will close 1.5° past parallel. To limit shocks at the end of an opening or closing stroke, it is highly recommended to design jaws with minimal inertia (as light and short as possible). Flow Controls make it possible to reduce the rotation speed and are highly recommended.

Loading Information

How to Order: (Order Accessories separately from Basic Model)



BASIC MODEL

DCT-12M-V

SIZE VITON® SEALS

NOTE: DCT-12 can be used as an exact replacement for CT-12

SENSOR ACCESSORIES*

	ORDER #	QTY/UNIT
PNP Magneto Resistive Sensor Short Barrel w/Qk Disc*	OHSP-017	1 or 2
NPN Magneto Resistive Sensor Short Barrel w/Qk Disc*	OHSN-017	1 or 2
Quick Disconnect 2 Meter Cable Length*	CABL-010	1 or 2
Quick Disconnect 5 Meter Cable Length*	CABL-013	1 or 2

PNEUMATIC ACCESSORIES

Adj. Flow Control M5 Elbow - 6mm OD Push-in (Metric)	VLVF-008	1 or 2
Buna-N Seal Repair Kit	SLKT-159	1
Viton® Seal Repair Kit	SLKT-159V	1

MOUNTING ACCESSORIES

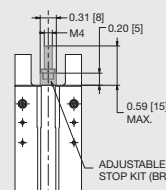
Adjustment Stop Kit (1 Shielded Plate + 1 Stop)	KP-DCT12-BR	1
---	--------------------	----------

*Sensor and cable sold separately.

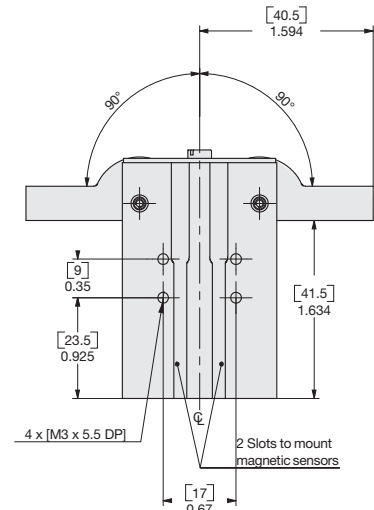
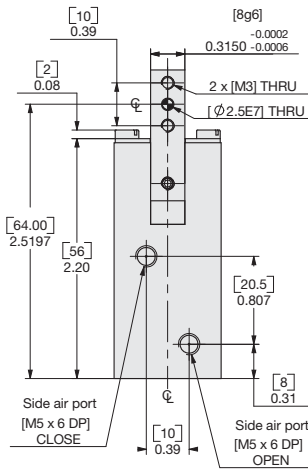
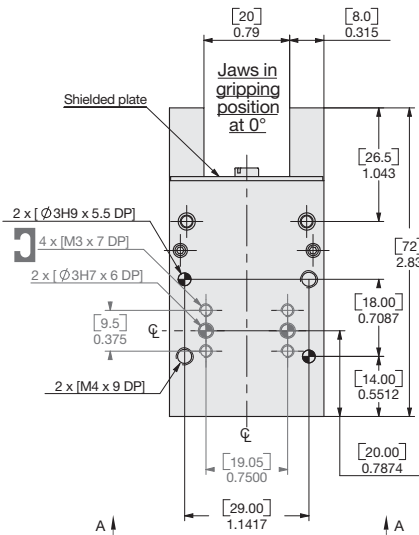
Loading Capacity†

	Static		Dynamic	
	Imperial	Metric	Imperial	Metric
Maximum Tensile T	11 lbs.	47 N	2 lbs.	9.4 N
Maximum Compressive C	11 lbs.	47 N	2 lbs.	9.4 N
Maximum Moment M_x	10 in.-lbs.	1.1 Nm	3 in.-lbs.	0.3 Nm
Maximum Moment M_y	10 in.-lbs.	1.1 Nm	3 in.-lbs.	0.3 Nm
Maximum Moment M_z	10 in.-lbs.	1.1 Nm	3 in.-lbs.	0.3 Nm

†Capacities are per set of jaws and are not simultaneous

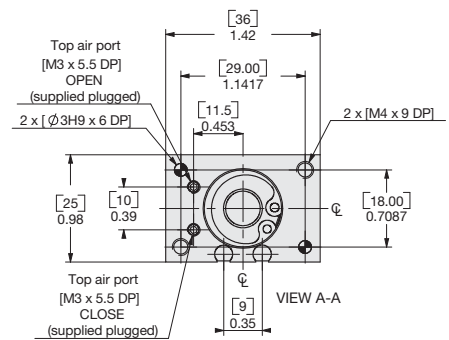
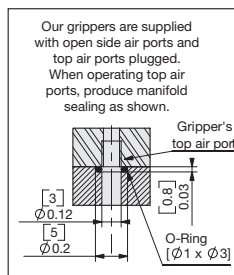


DIRECTCONNECT



Specifications

	DCT-16M	
Total Rated Grip Force, F @ 100 psi [7 bar]	16 lbs.	70 N
L = 1 in. [25mm] @ 0°		
Stroke	90° of stroke for each finger	
Weight	0.35 lbs.	0.16 Kg
Pressure Range	40-100 psi	3-7 Bar
Cylinder Bore Ø	0.630 in.	16 mm
Displacement	0.251 in ³	4.12 cm ³
Temperature Range		
Standard Seals	-30°~180° F	-35°~80° C
Viton® Seals	-20°~300° F	-30°~150° C
Actuation	0.13 sec.	0.13 sec.
Accuracy	±0.0028 in.	±0.07 mm
Repeatability	±0.002 in.	±0.05 mm.
Valve required to actuate	4-way, 2-position	



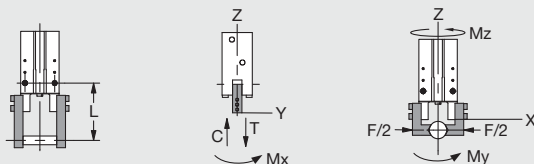
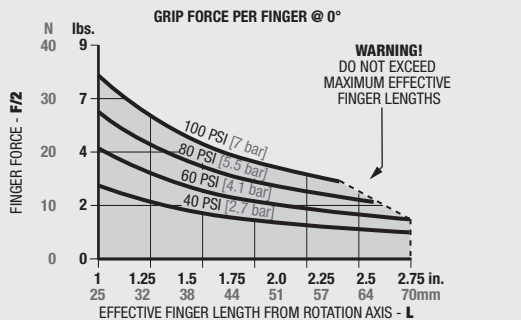
UNLESS OTHERWISE NOTED ALL TOLERANCES ARE AS SHOWN BELOW

Dimensions are symmetrical about centerline	Third Angle Projection	All Dowel Holes are SF (Slip Fit). Locational Tolerance ±.0005" or (±.013mm)	Metric Threads Course Pitch	Imperial in. 0.00 = ±.01 0.000 = ±.005 0.0000 = ±.0005	Metric [mm] [0.] = [±.25] [0.0] = [±.13] [0.00] = [±.013]
---	------------------------	--	-----------------------------	--	---

NOTE: Jaws have to be designed for a 0° gripping position (parallel jaws). Jaws will close 1.5° past parallel. To limit shocks at the end of an opening or closing stroke, it is highly recommended to design jaws with minimal inertia (as light and short as possible). Flow Controls make it possible to reduce the rotation speed and are highly recommended.

Loading Information

How to Order: (Order Accessories separately from Basic Model)



Loading Capacity†	Static		Dynamic	
	Imperial	Metric	Imperial	Metric
Maximum Tensile T	20 lbs.	90 N	4 lbs.	18 N
Maximum Compressive C	20 lbs.	90 N	4 lbs.	18 N
Maximum Moment M_x	26 in.-lbs.	2.9 Nm	6 in.-lbs.	0.7 Nm
Maximum Moment M_y	26 in.-lbs.	2.9 Nm	6 in.-lbs.	0.7 Nm
Maximum Moment M_z	26 in.-lbs.	2.9 Nm	6 in.-lbs.	0.7 Nm

†Capacities are per set of jaws and are not simultaneous

BASIC MODEL

DCT-16M-V

SIZE VITON® SEALS

NOTE: DCT-16 can be used as an exact replacement for CT-16

SENSOR ACCESSORIES*

	ORDER #	QTY/UNIT
PNP Magneto Resistive Sensor Short Barrel w/Qk Disc*	OHSP-017	1 or 2
NPN Magneto Resistive Sensor Short Barrel w/Qk Disc*	OHSN-017	1 or 2
Inductive Sensor Mounting Kit (mounts 2 sensors)	SDCT16-20	1
4mm PNP Inductive Sensor with Quick Disconnect*	OISP-014	1 or 2
4mm NPN Inductive Sensor with Quick Disconnect*	OISN-014	1 or 2
Quick Disconnect 2 Meter Cable Length*	CABL-010	1 or 2
Quick Disconnect 5 Meter Cable Length*	CABL-013	1 or 2

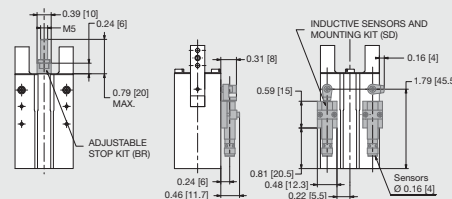
PNEUMATIC ACCESSORIES

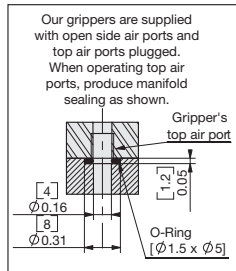
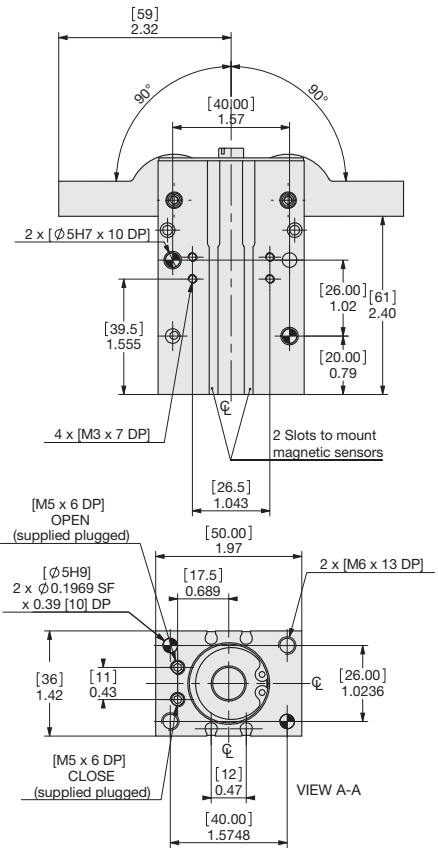
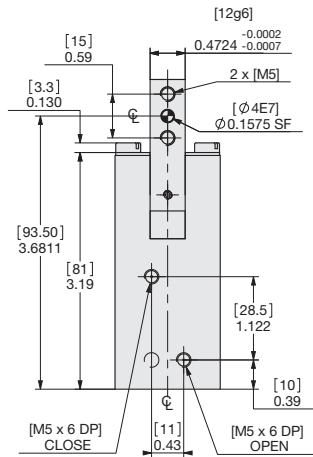
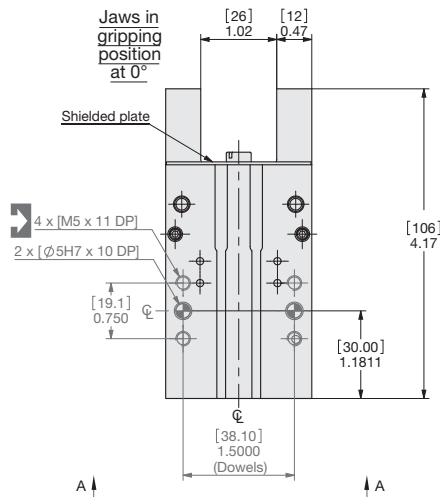
Adj. Flow Control M5 Elbow - 6mm OD Push-in (Metric)	VLVF-008	1 or 2
Buna-N Seal Repair Kit	SLKT-160	1
Viton® Seal Repair Kit	SLKT-160V	1

MOUNTING ACCESSORIES

Adjustment Stop Kit (1 Shielded Plate + 1 Stop)	KP-DCT16-BR	1
---	--------------------	----------

*Sensor and cable sold separately.





Specifications

DCT-25M

Total Rated Grip Force, F @ 100 psi [7 bar]	35 lbs.	157 N
L = 1.75 in. [44mm] @ 0°		
Stroke	90° of stroke for each finger	
Weight	1.08 lbs.	0.49 Kg
Pressure Range	40-100 psi	3-7 Bar
Cylinder Bore Ø	0.984 in.	25 mm
Displacement	0.909 in ³	14.9 cm ³
Temperature Range		
Standard Seals	-30°~180° F	-35°~80° C
Viton® Seals	-20°~300° F	-30°~150° C
Actuation	0.21 sec.	0.21 sec.
Accuracy	±0.003 in.	±0.08 mm
Repeatability	±0.002 in.	±0.05 mm.
Valve required to actuate	4-way, 2-position	

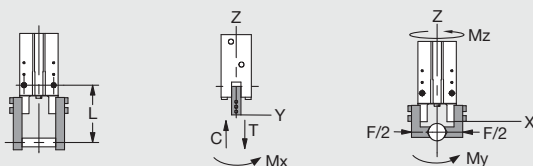
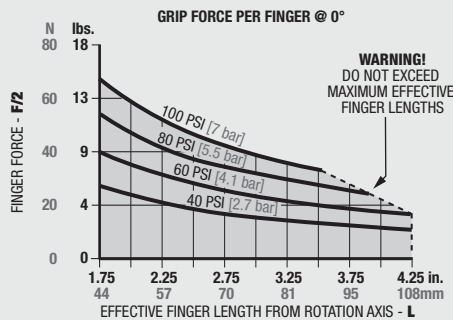
UNLESS OTHERWISE NOTED ALL TOLERANCES ARE AS SHOWN BELOW

Dimensions are symmetrical about centerline	Third Angle Projection	All Dowel Holes are SF (Slip Fit). Locational Tolerance ±.0005" or [±.013mm]	Metric Threads Course Pitch	Imperial in. 0.00 = ±.01 0.000 = ±.005 0.0000 = ±.0005	Metric [mm] [0.] = [±.25] [0.0] = [±.13] [0.00] = [±.013]
---	------------------------	--	-----------------------------	--	---

NOTE: Jaws have to be designed for a 0° gripping position (parallel jaws). Jaws will close 1.5° past parallel. To limit shocks at the end of an opening or closing stroke, it is highly recommended to design jaws with minimal inertia (as light and short as possible). Flow Controls make it possible to reduce the rotation speed and are highly recommended.

Loading Information

How to Order: (Order Accessories separately from Basic Model)



Loading Capacity†

	Static		Dynamic	
	Imperial	Metric	Imperial	Metric
Maximum Tensile T	46 lbs.	205 N	9 lbs.	41 N
Maximum Compressive C	46 lbs.	205 N	9 lbs.	41 N
Maximum Moment M_x	89 in.-lbs.	10 Nm	22 in.-lbs.	2.5 Nm
Maximum Moment M_y	89 in.-lbs.	10 Nm	22 in.-lbs.	2.5 Nm
Maximum Moment M_z	89 in.-lbs.	10 Nm	22 in.-lbs.	2.5 Nm

†Capacities are per set of jaws and are not simultaneous

BASIC MODEL

DCT-25M-V

SIZE VITON® SEALS

SENSOR ACCESSORIES*

	ORDER #	QTY/UNIT
PNP Magneto Resistive Sensor Short Barrel w/Qk Disc*	OHSP-017	1 or 2
NPN Magneto Resistive Sensor Short Barrel w/Qk Disc*	OHSN-017	1 or 2
Inductive Sensor Mounting Kit (mounts 2 sensors)	SDCT25-32	1
M8 PNP Inductive Sensor with Quick Disconnect*	OISP-011	1 or 2
M8 NPN Inductive Sensor with Quick Disconnect*	OISN-011	1 or 2
M8 Quick Disconnect 2 Meter Cable Length*	CABL-010	1 or 2
M8 Quick Disconnect 5 Meter Cable Length*	CABL-013	1 or 2

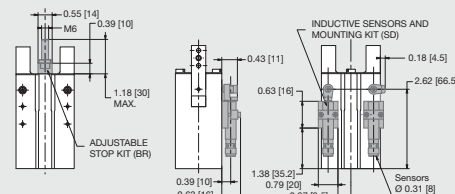
PNEUMATIC ACCESSORIES

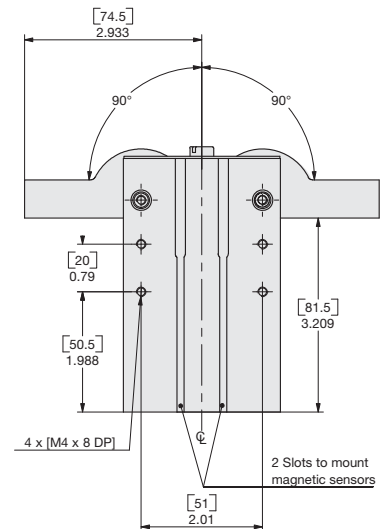
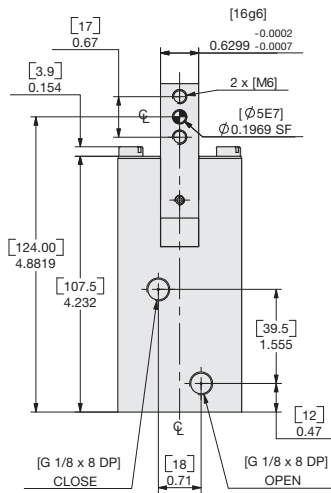
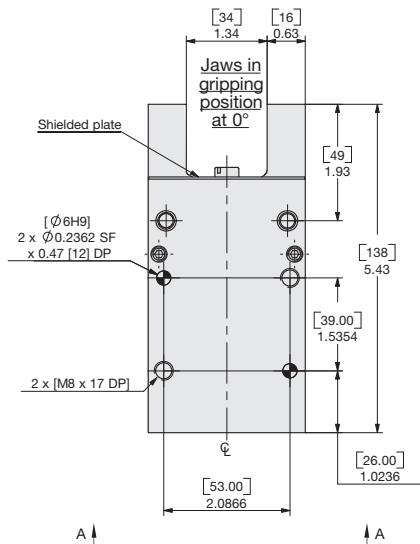
M5 Adjustable Flow Control	VLVF-008	1 or 2
Buna-N Seal Repair Kit	SLKT-162	1
Viton® Seal Repair Kit	SLKT-162V	1

MOUNTING ACCESSORIES

Adjustment Stop Kit (1 Shielded Plate + 1 Stop)	KP-DCT25-BR	1
---	--------------------	----------

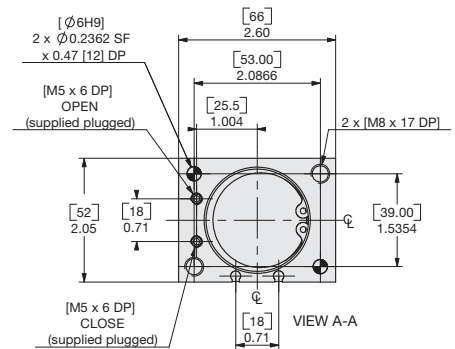
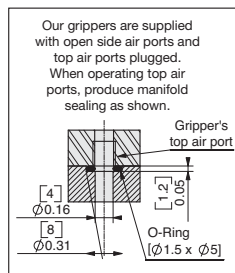
*Sensor and cable sold separately.





Specifications

		CT-40M	
Total Rated Grip Force, F @ 100 psi [7 bar]		100 lbs.	446 N
L = 2 in. [51mm] @ 0°			
Stroke		90° of stroke for each finger	
Weight		2.60 lbs.	1.18 Kg
Pressure Range		40-100 psi	3-7 Bar
Cylinder Bore Ø		1.575 in.	40 mm
Displacement		3.173 in ³	52 cm ³
Temperature Range			
Standard Seals		-30°~180° F	-35°~80° C
Viton® Seals		-20°~300° F	-30°~150° C
Actuation		0.41 sec.	0.41 sec.
Accuracy		±0.0036 in.	±0.09 mm
Repeatability		±0.002 in.	±0.05 mm.
Valve required to actuate		4-way, 2-position	



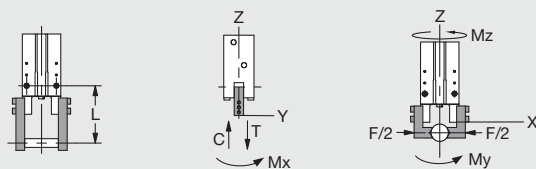
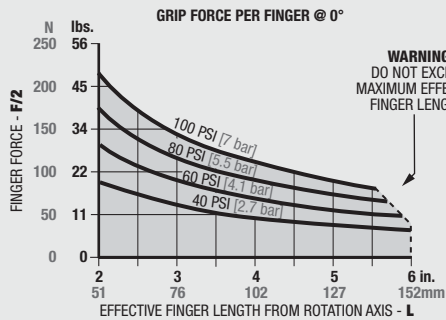
UNLESS OTHERWISE NOTED ALL TOLERANCES ARE AS SHOWN BELOW

Symbol	Description	Imperial in.	Metric [mm]
	Dimensions are symmetrical about centerline		
	Third Angle Projection		
	All Dowel Holes are SF (Slip Fit). Locational Tolerance ±.0005" or ±.013mm		
	Metric Threads Course Pitch		
		0.00 = ±.01 0.000 = ±.005 0.0000 = ±.0005	[0.] = [±.25] [0.0] = [±.13] [0.00] = [±.013]

NOTE: Jaws have to be designed for a 0° gripping position (parallel jaws). Jaws will close 1.5° past parallel. To limit shocks at the end of an opening or closing stroke, it is highly recommended to design jaws with minimal inertia (as light and short as possible). Flow Controls make it possible to reduce the rotation speed and are highly recommended.

Loading Information

How to Order: (Order Accessories separately from Basic Model)



Loading Capacity†

	Static		Dynamic	
	Imperial	Metric	Imperial	Metric
Maximum Tensile T	94 lbs.	420 N	19 lbs.	84 N
Maximum Compressive C	94 lbs.	420 N	19 lbs.	84 N
Maximum Moment M_x	195 in.-lbs.	22 Nm	49 in.-lbs.	5.5 Nm
Maximum Moment M_y	195 in.-lbs.	22 Nm	49 in.-lbs.	5.5 Nm
Maximum Moment M_z	195 in.-lbs.	22 Nm	49 in.-lbs.	5.5 Nm

†Capacities are per set of jaws and are not simultaneous

BASIC MODEL

CT-40M-V

SIZE VITON® SEALS

SENSOR ACCESSORIES*

	ORDER #	QTY/UNIT
PNP Magneto Resistive Sensor Short Barrel M8 w/Qk Disc*	OHSP-017	1 or 2
NPN Magneto Resistive Sensor Short Barrel M8 w/Qk Disc*	OHSN-017	1 or 2
Inductive Sensor Mounting Kit (mounts 2 sensors)	SCT40-63	1
M12 PNP Inductive Sensor with M12 Quick Disconnect*	OISP-017	1 or 2
M12 NPN Inductive Sensor with M12 Quick Disconnect*	OISN-017	1 or 2
M8 Quick Disconnect 2 Meter Cable Length*	CABL-010	1 or 2
M8 Quick Disconnect 5 Meter Cable Length*	CABL-013	1 or 2
M12 Quick Disconnect 2 Meter Cable Length*	CABL-014	1 or 2
M12 Quick Disconnect 5 Meter Cable Length*	CABL-018	1 or 2

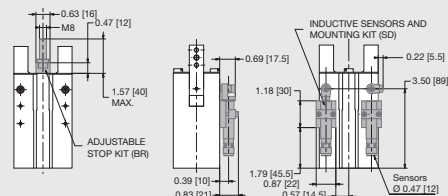
PNEUMATIC ACCESSORIES

Adj. Flow Control G1/8 Elbow - 6mm OD Push-in (Metric)	VLVF-005	1 or 2
Buna-N Seal Repair Kit	SLKT-164	1
Viton® Seal Repair Kit	SLKT-164V	1

MOUNTING ACCESSORIES

Adjustment Stop Kit (1 Shielded Plate + 1 Stop)	KP-CT40-BR	1
---	-------------------	----------

*Sensor and cable sold separately.

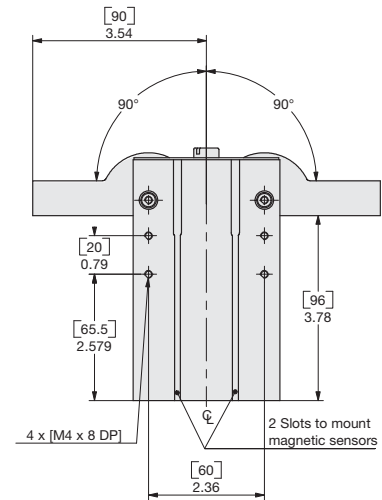
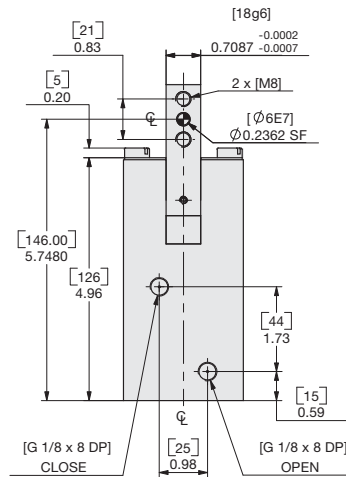
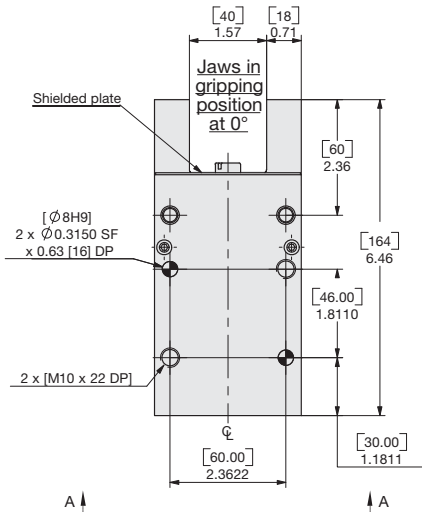


ANGULAR GRIPPER CT-50M 180° SERIES



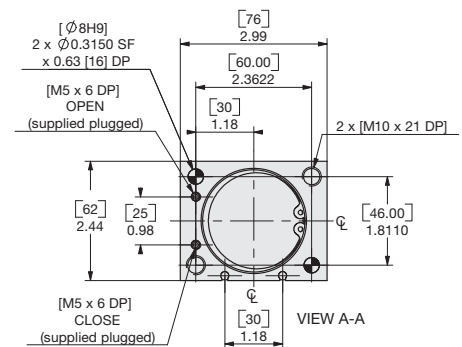
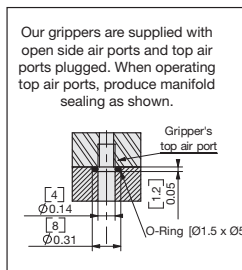
CT SERIES

2.40



Specifications

	CT-50M	
Total Rated Grip Force, F @ 100 psi [7 bar]	146 lbs.	651 N
L = 2.25 in. [64mm] @ 0°	90° of stroke for each finger	
Stroke	4.01 lbs.	1.82 Kg
Weight	40-100 psi	3-7 Bar
Pressure Range	1.968 in.	50 mm
Cylinder Bore Ø	5.614 in ³	92 cm ³
Displacement	-30°~180° F	-35°~80° C
Temperature Range	Standard Seals	Viton® Seals
Standard Seals	0.46 sec.	0.46 sec.
Actuation	±0.0036 in.	±0.09 mm
Accuracy	±0.002 in.	±0.05 mm.
Repeatability	Valve required to actuate	4-way, 2-position



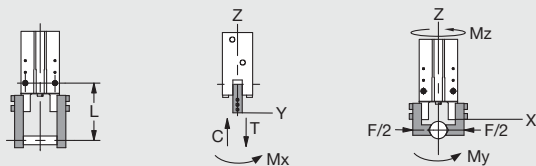
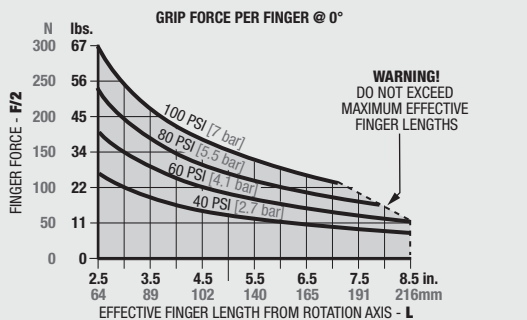
UNLESS OTHERWISE NOTED ALL TOLERANCES ARE AS SHOWN BELOW

Symbol	Imperial in.	Metric [mm]
Dimensions are symmetrical about centerline	0.00 = ±.01	[0.] = [±.25]
Third Angle Projection	0.000 = ±.005	[0.0] = [±.13]
All Dowel Holes are SF (Slip Fit). Locational Tolerance ±.0005" or [±.013mm]	0.0000 = ±.0005	[0.00] = [±.013]
Metric Threads		
Course Pitch		

NOTE: Jaws have to be designed for a 0° gripping position (parallel jaws). Jaws will close 1.5° past parallel. To limit shocks at the end of an opening or closing stroke, it is highly recommended to design jaws with minimal inertia (as light and short as possible). Flow Controls make it possible to reduce the rotation speed and are highly recommended.

Loading Information

How to Order: (Order Accessories separately from Basic Model)



Loading Capacity†	Static		Dynamic	
	Imperial	Metric	Imperial	Metric
Maximum Tensile T	110 lbs.	490 N	22 lbs.	98 N
Maximum Compressive C	110 lbs.	490 N	22 lbs.	98 N
Maximum Moment M_x	266 in.-lbs.	30 Nm	66 in.-lbs.	7.5 Nm
Maximum Moment M_y	266 in.-lbs.	30 Nm	66 in.-lbs.	7.5 Nm
Maximum Moment M_z	266 in.-lbs.	30 Nm	66 in.-lbs.	7.5 Nm

†Capacities are per set of jaws and are not simultaneous

BASIC MODEL

CT-50M-V

SIZE VITON® SEALS

SENSOR ACCESSORIES*

	ORDER #	QTY/UNIT
M8 PNP Magneto Resistive Sensor Short Barrel M8 w/Qk Disc*	OHSP-017	1 or 2
M8 NPN Magneto Resistive Sensor Short Barrel M8 w/Qk Disc*	OHSN-017	1 or 2
Inductive Sensor Mounting Kit (mounts 2 sensors)	SDCT40-63	1
M12 PNP Inductive Sensor with M12 Quick Disconnect*	OISP-017	1 or 2
M12 NPN Inductive Sensor with M12 Quick Disconnect*	OISN-017	1 or 2
M8 Quick Disconnect 2 Meter Cable Length*	CABL-010	1 or 2
M8 Quick Disconnect 5 Meter Cable Length*	CABL-013	1 or 2
M12 Quick Disconnect 2 Meter Cable Length*	CABL-014	1 or 2
M12 Quick Disconnect 5 Meter Cable Length*	CABL-018	1 or 2

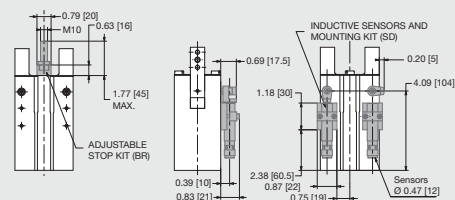
PNEUMATIC ACCESSORIES

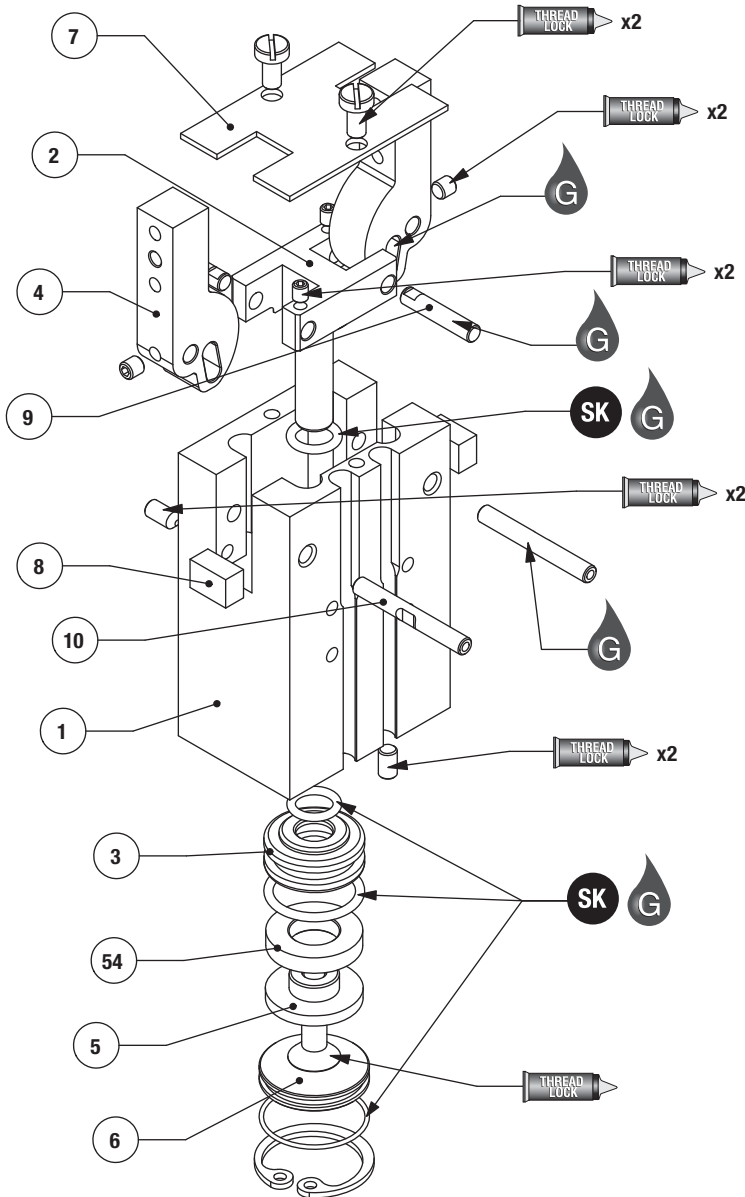
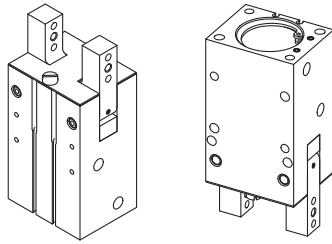
Adj. Flow Control G1/8 Elbow - 6mm OD Push-in (Metric)	VLVF-005	1 or 2
Buna-N Seal Repair Kit	SLKT-165	1
Viton® Seal Repair Kit	SLKT-165V	1

MOUNTING ACCESSORIES

Adjustment Stop Kit (1 Shielded Plate + 1 Stop)	KP-CT50-BR	1
---	-------------------	----------

*Sensor and cable sold separately.





Item	Qty	Name
01	1	Body
02	1	Driver
03	1	Piston
04	2	Jaw
05	1	Washer
06	1	Cap
07	1	Shielded Plate
08	2	Wiper Cover
09	2	Drive Pin
10	2	Pivot Pin
54	1	Magnet

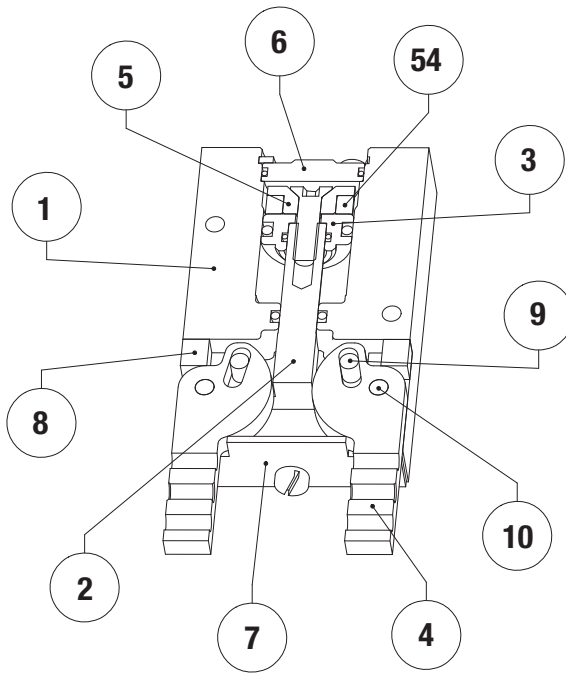
NOTE: Contact the Robohand Sales Department for a complete spare parts list with order numbers and prices.

Assembly Procedure

- Lubricate and install the seals into cap (x1), piston (x2) and body (x1)
- If top air ports are used, clear them and plug the side air ports on the body (#1)
- Lubricate the sloping rack of jaws (#4)
- Install both drive pins (#9) into driver (#2) through sloping racks of jaws. Check that the pin flat surface is correctly aligned before continuing with their installation.
- Lock drive pins in the driver with screws, tightening down on to the flat surface of the pins.
- Position driver and jaws assembly into body.
- Install both pivot pins (#10) into body, through the bore of jaws. Check that the pin flat surface is correctly aligned before continuing with their installation.
- Pivot pin locking:
 - DCT-12 (not shown): lock pivot pins into body with screws, tightening down on to the flat surface of the pins (pins are fixed into body and rotating into jaws)
 - DCT-16 to CT-50: lock pivot pins into jaws with screws, tightening down on to the flat surface of the pins (pins are fixed into jaws and rotating into body)
- Magnet mounting:
 - DCT-12 to DCT-20: install the magnet (#54) on the washer (#5)
 - DCT-25 to CT-50 (not shown): install magnet (#54) onto piston (#3) and lock it by means of its retaining ring.
- Piston mounting:
 - DCT-12 to DCT-20: insert the piston and the washer with magnet into body. Fix the assembly at the end of the driver with screw.
 - DCT-25 to CT-50 (not shown): insert the piston with magnet into body. Fix the assembly at the end of the drivers with screw.
- Check unit operation unladen.
- Install the cap (#6) into body and lock it by means of its retaining ring.
- Place both wiper covers (#8) into body and lock them with their screws.
- Fix the shielded plate (#7) onto body with both screws.

SK Seal Repair Kit Order #'s
See Product Data Sheets

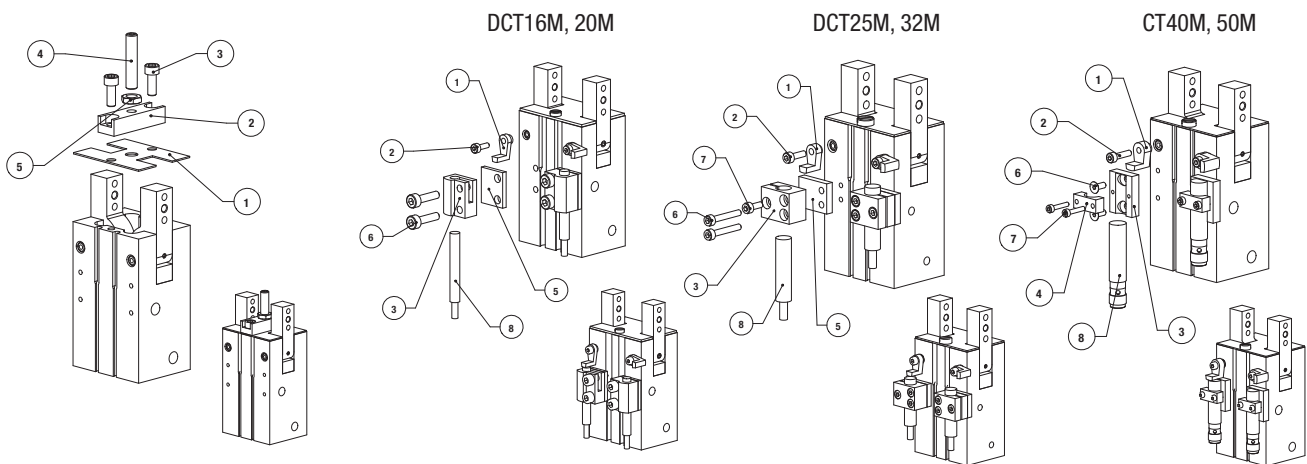
Seal Kit Items	Thread Locker	Krytox™ Lubricant	Lightweight Machine Oil	Teflon™ Based Grease	Super Bonder	Third Angle Projection



Item	Qty	Name
01	1	Body
02	1	Driver
03	1	Piston
04	2	Jaw
05	1	Washer
06	1	Cap
07	1	Shielded Plate
08	2	Wiper Cover
09	2	Drive Pin
10	2	Pivot Pin
54	1	Magnet

NOTE: Contact the Robohand Sales Department for a complete spare parts list with order numbers and prices.

ACCESSORY INSTALLATION & ADJUSTMENT INSTRUCTIONS



Installation - Adjustment Stop

- 1) Unscrew both screws for mounting of the shielded plate and remove it.
- 2) Fix the new shielded plate (#1) and the stop (#2) onto body with both screws (#3)
- 3) Install the locknut system (#4) and (#5) on the stop.
- 4) Tighten screw for maximum target jaw opening and lock with locknut.

Installation - Inductive Sensor Holders

- 1) Fix the flags (#1) at the end of pivot pins with their screws (#2)
- 2) Holder mounting:
 - DCT-16M to DCT-32M: fix holder (#3) and spacer (#5) onto body with both screws (#6)
 - DCT-40M to DCT-50M: fix holder (#3) onto body with both screws (#6)
- 3) Sensor mounting:
 - DCT-16M to DCT-20M: unscrew lightly both screws for mounting (#6) of holder and insert sensor (#8, not included) into it. Position sensor so that it senses up on flag. Lock the sensor by tightening both screws.
 - DCT-25M to DCT-32M: unscrew lightly screw (#7) on holder and insert sensor (#8, not included) into it. Position sensor so that it senses up the flag. Lock the sensor by tightening screw.
 - CT-40M to CT-50M: insert sensor (#8, not included) in stop into holder. Lock the sensor by tightening the collar holder with both screws (not shown).
- 4) Adjust flag position by unscrewing their screws for desired sensing positions.



Seal Kit
Items



Thread
Locker



Krytox™
Lubricant



Lightweight
Machine Oil



Teflon™ Based
Grease



Super
Bonder



Third Angle
Projection

