

# Angular Grippers - Food Handling Gripper Series

## FEATURES & BENEFITS:

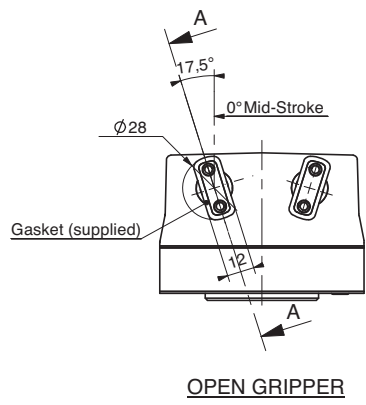
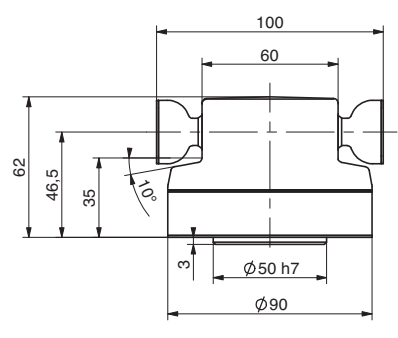
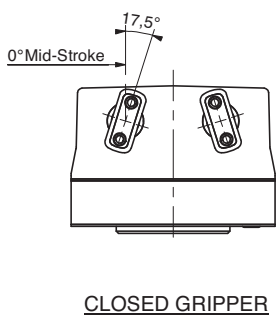
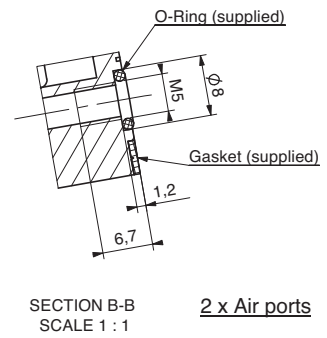
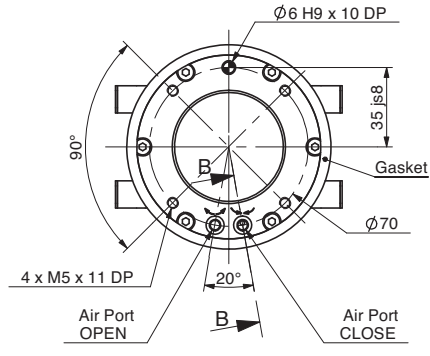
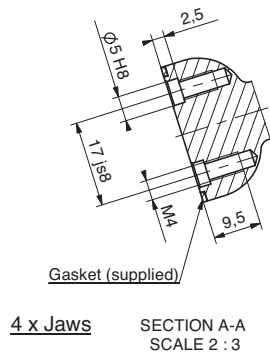
- Designed for direct product contact in the food zone, according to the food industry standard (EN 1672-2)
- All parts are corrosion resistant, non-toxic, non-contaminating, non-porous, non-absorbent and non-reactive
- Stainless steel design resists chemical cleaning procedures
- Optional body made of High Performance Polymer, conform to FDA, for a significantly lighter weight
- Electro-polished exterior with no recessed or inaccessible zones prevents retention of contaminants and simplifies cleaning
- Sealed motion components (IP69K design) for high-pressure and high-temperature daily cleanings
- Any metal/metal contact protected by gasket to obtain a leakproof assembly against bacteria
- Angular gripper design for easier radial sealing of jaws
- Optional security springs for external gripping, in case of air supply failure, in single acting or spring assist mode
- No external fasteners to avoid any foreign matter in food
- Contains special lubricants suitable for food industry
- Long maintenance-free service life

## APPLICATIONS:

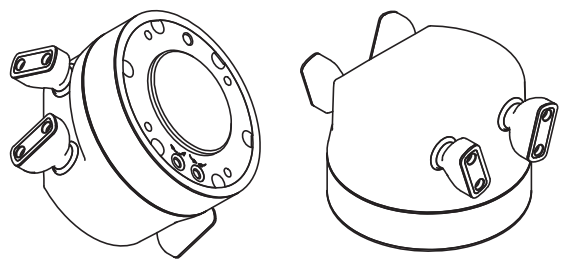
- Food zone and splash zone handling of product
- Non-food zone applications
- Other applications requiring a sealed and corrosion resistant gripper



Shown with Optional  
Finger Attachment Kit



**Other Sizes Planned  
Patent Pending**



Specifications	FUA-63M
Torque, Jaws @ 0° (mid-stroke)	
6 bar with springs.....	32 Nm
0 bar with springs.....	9 Nm
Total Stroke .....	70°
Weight .....	
Stainless Steel.....	1.7 Kg
Polymer .....	0.8 Kg
Pressure Range (without springs) .....	2-7 bar
Pressure Range (with springs) .....	3.5-7 bar
Cylinder Bore Ø .....	63 mm
Displacement .....	54 cm <sup>3</sup>
Temperature Range.....	-15~80° C

**UNLESS OTHERWISE NOTED ALL TOLERANCES ARE AS SHOWN BELOW**

	Imperial in.	Metric [mm]
Dimensions are symmetrical about centerline	0.00 = ±.01	[0.] = [±.25]
Third Angle Projection	0.000 = ±.005	[0.0] = [±.13]
All Dowel Holes are SF (Slip Fit). Locational Tolerance ±.0005" or [±.013mm]	0.0000 = ±.0005	[0.00] = [±.013]
Metric Threads Course Pitch		

### How to Order: (Order Accessories separately from Basic Model)

**BASIC MODEL**    **MATERIAL**

**FUA-63M - LI - C**

**SPRING**

**MATERIAL LI** Body made of High Performance Polymer  
Leave Blank. Stainless Steel (Standard)

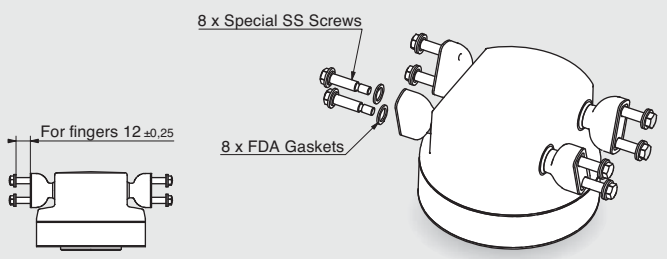
**SPRING C** Closed  
Leave Blank. No Spring Option (Standard)

**ACCESSORIES**

Fingers Attachment Kit  
(includes 8 x SS Screws & Gaskets)

**ORDER #**    **QTY/UNIT**

**KVMFUA63**    **1**



**SAMPLE ORDER: FUA-63M-LI-C**  
Ex: FUA-63M Food Gripper, Polymer Body, Spring Closed

# DESIGN NOTES



ANGULAR GRIPPERS

2.58

