




	Series	Section Page	Max. Holding Capacity N[lbf.]						Maximum Clamping Thickness mm [inch]						
			0 to 1000 [0 to 225]	1000 to 2000 [225 to 450]	2000 to 3000 [450 to 675]	3000 to 4000 [675 to 900]	4000 to 5000 [900 to 1125]	5000 to 6000 [1125 to 1350]	0 to 10 [0 to 0.39]	10 to 20 [0.39 to 0.78]	20 to 30 [0.78 to 1.18]	30 to 40 [1.18 to 1.57]	40 to 60 [1.57 to 2.36]	60 to 80 [1.57 to 3.15]	80+ [2.26+]
	325	7.2													
	345	7.3													
	424	7.4													
	441	7.4													
	431	7.5													
	425	7.6													
	435	7.6													
	462	7.7													
	463	7.7													
	480	7.7													
	482	7.7													
	484	7.7													
	486	7.7													

Series 325 Product Overview

Features:

- Designed for attachment by welding or using mounting holes
- Available in stainless steel as **-SS** version
- Standard version includes M12 spindle, Stainless version includes 1/2-13 spindle

Applications:

- Molding
- Closures for doors, lids, covers

Also Available:

See page 8.1 for accessories

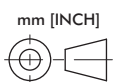
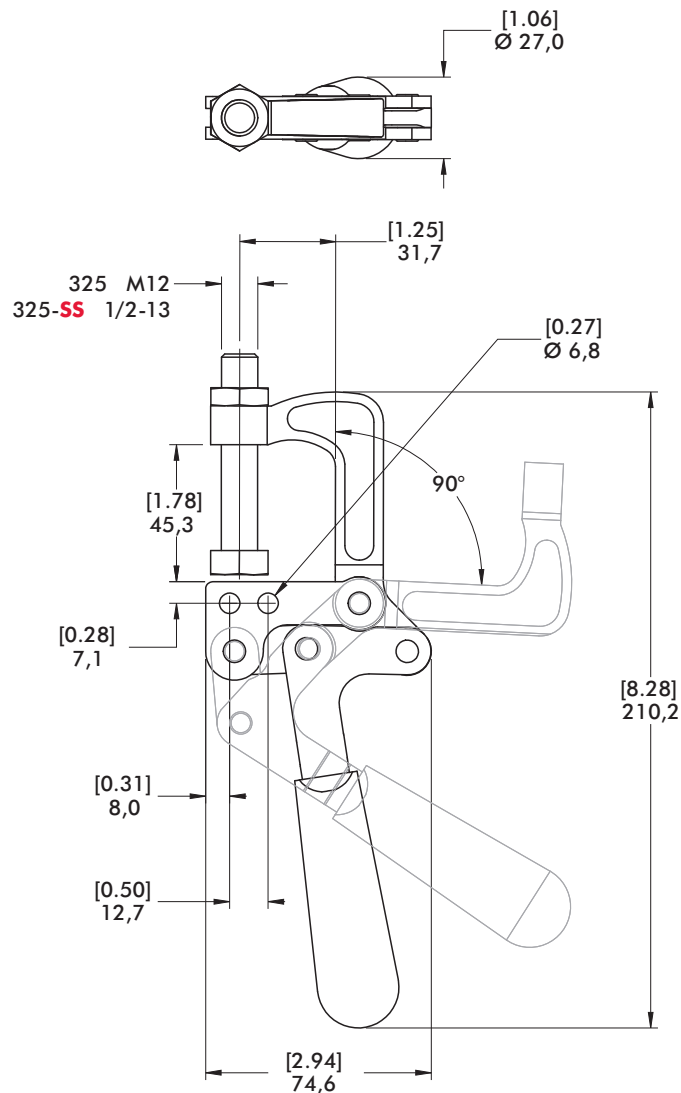
325,
325-SS



Series 325 Technical Information, Holding Capacities

Model	Max. Holding Capacity	Weight	Jaw Opening	Spindle (Supplied)
325	3560 N [800 lbf]	0,54kg [1.18lb]	90°	325203-M
325-SS				325943-M

Series 325 Standard Clamp Dimensions



Series 345 Product Overview

Features:

- Designed for welding or bolting at any point along the mounting bar
- Includes M10 swivel foot spindle
- Model 345-G includes sliding jaw with spindle

Applications:

- Welding fixtures
- Assembly fixtures
- Closures for doors, lids, covers

Also Available:

See page 8.1 for accessories

345,
345-G ⓘ

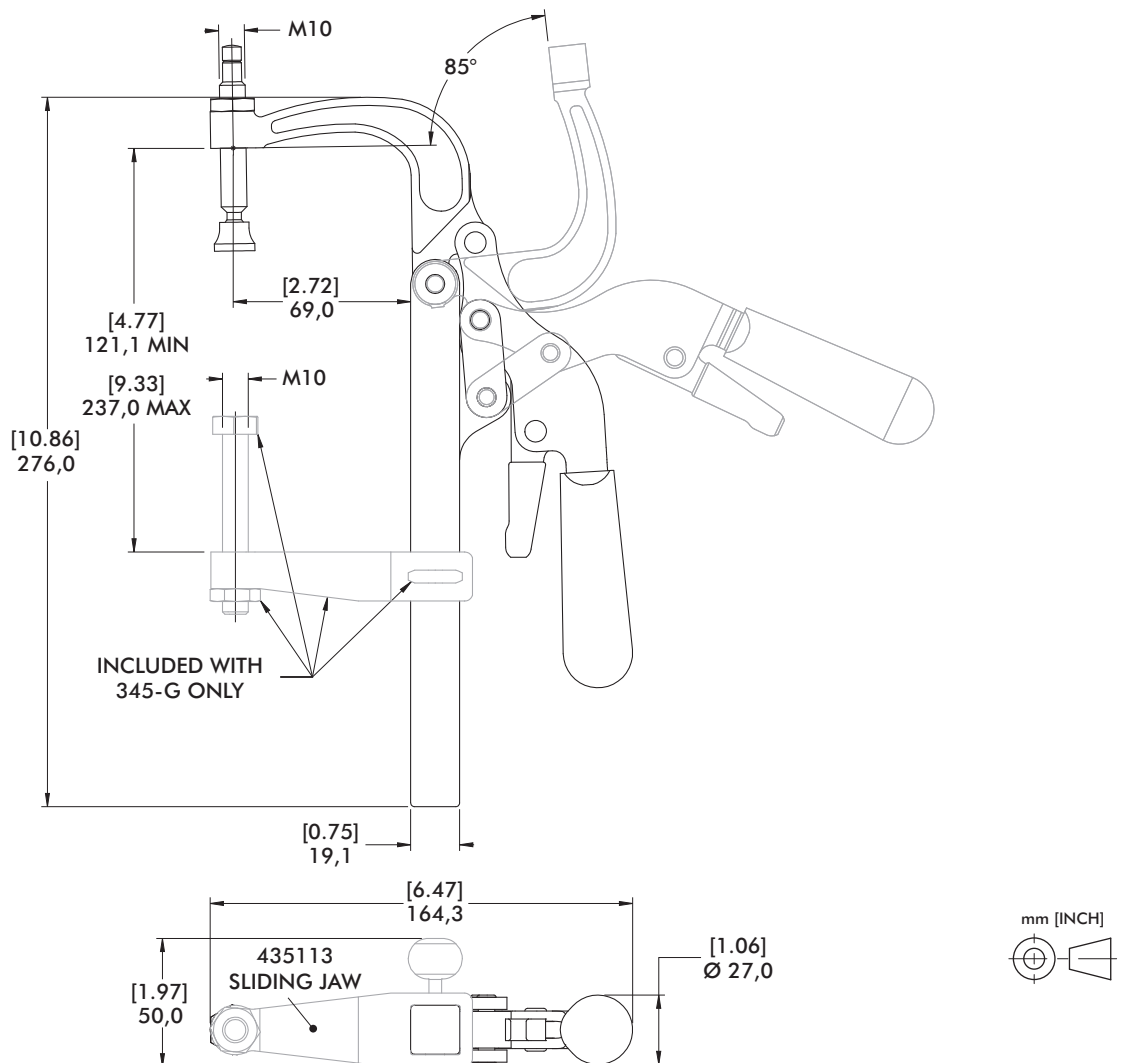


Series 345 Technical Information, Holding Capacities

Model	Max. Holding Capacity	Weight	Jaw Opening	Spindle (Supplied)
345	3560 N [800 lbf]	1,22kg [2.69lb]	85°	468206-M
345-G ⓘ		1,40kg [3.09lb]		468206-M 210203-M

ⓘ This item is available upon request.

Series 345 Standard Clamp Dimensions



Series 424, 441 Product Overview

Features:

- Compact clamps with forged alloy steel construction for high strength
- Versions ending with (-2) are supplied with two adjustable spindles

Applications:

- Welding
- Assembly

Also Available:

See page 8.1 for accessories

424



424-2

With Two Adjustable Spindles



441



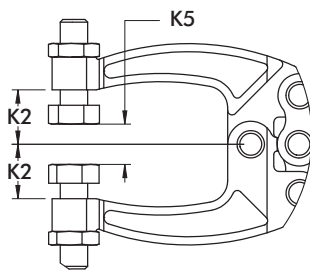
441-2

With Two Adjustable Spindles

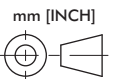
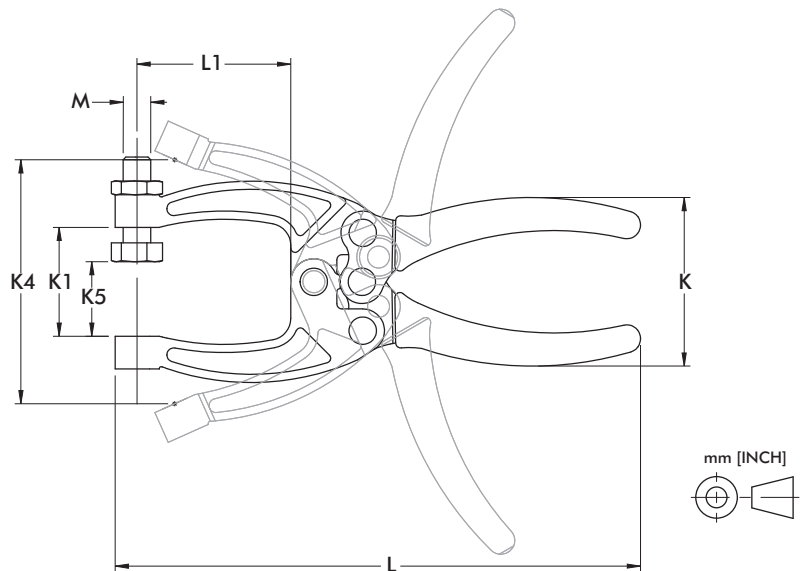
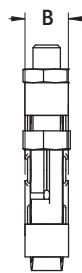


Series 424, 441 Technical Information, Holding Capacities, Standard Clamp Dimensions

Model	Max. Holding Capacity	Weight	(K5) Maximum Clamping Thickness	Spindle (Supplied)
424	900 N [200 lbf]	0,14kg [0.31lb]	16 [0.63]	424208-M
424-2			7,4 [0.29]	(2X) 431208-M
441	1560 N [350 lbf]	0,29kg [0.63lb]	23,3 [1.03]	441203-M
441-2			20,8 [0.82]	(2X) 461203-M



MODEL 424-2 & 441-2 AS SHOWN



Model	B	K	K1	K2	K4	L	L1	M
424	[0.66]	[1.91]	[1.00]	[0.50]	[2.06]	[4.63]	[1.08]	M6
424-2	16.8	48.5	25.4	12.7	52.3	117.6	27.4	M6
441	[0.50]	[2.07]	[1.25]	[0.63]	[2.80]	[6.03]	[1.77]	M8
441-2	12.7	52.5	31.8	15.9	71.2	153.1	44.9	M8

Series 431 Product Overview

Features:

- Tempered spring steel jaws provide exceptional jaw depth

Applications:

- Assembly
- Gluing, soldering

Also Available:

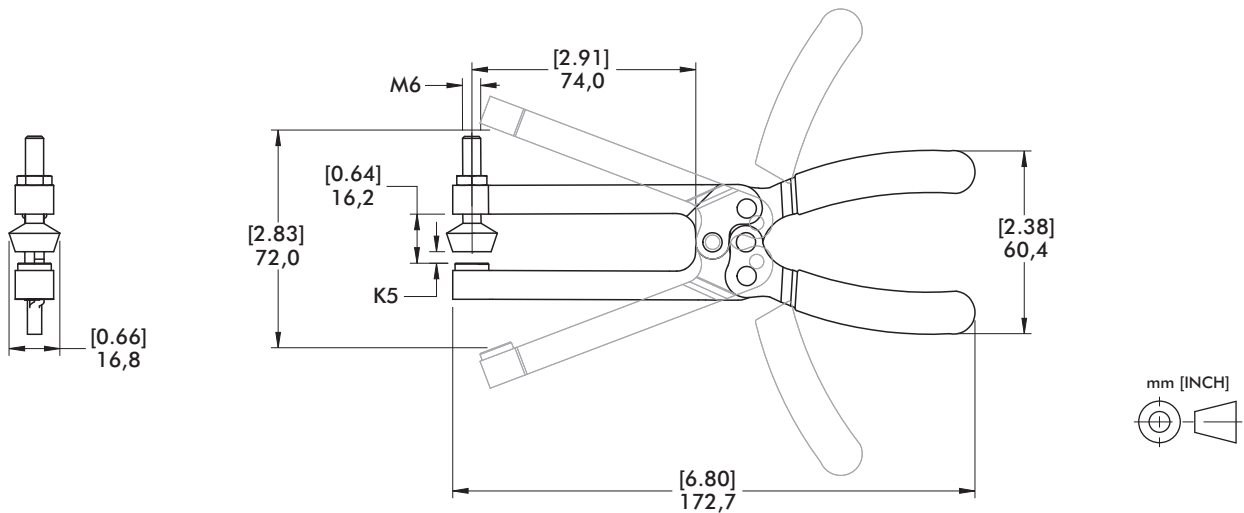
See page 8.1 for accessories

431



Series 431 Technical Information, Holding Capacities, Standard Clamp Dimensions

Model	Max. Holding Capacity	Weight	(K5) Maximum Clamping Thickness	Spindle (Supplied)
431	400 N [100 lbf]	0,14kg [0.31lb]	6,8 [0.27]	424208-M



Features:

- Two way trigger release allows for fast and easy opening of clamp

Applications:

- Assembly
- Welding
- Gluing, soldering

Also Available:

See page 8.1 for accessories

425 ⓘ



435



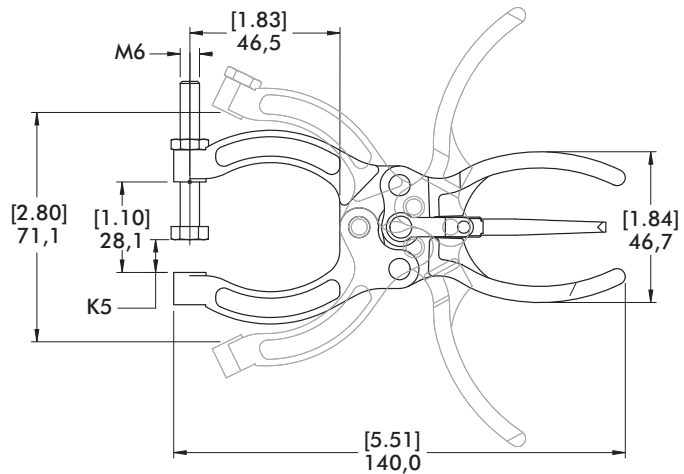
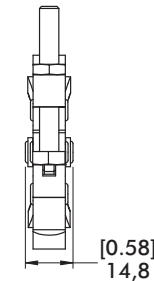
Series 425, 435 Technical Information, Holding Capacities, Standard Clamp Dimensions

Model	Max. Holding Capacity	Weight	(K5) Maximum Clamping Thickness	Spindle (Supplied)
425 ⓘ	2220 N [500 lbf]	0,14kg [0.31lb]	24 [0.94]	205203-M
435		0,23kg [0.50lb]	36,3 [1.43]	(2X) 205203-M

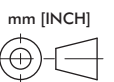
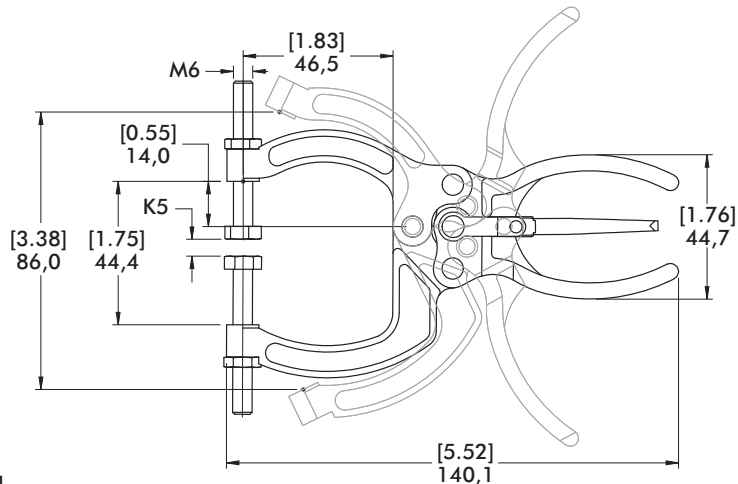
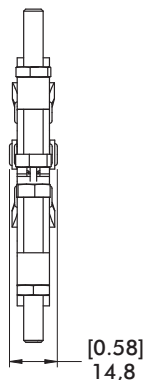
ⓘ This item is available upon request



MODEL 425 AS SHOWN



MODEL 435 AS SHOWN



Series 460, 480 Product Overview

Features:

- Drop forged alloy steel components for exceptional strength
- Two way trigger release allows for fast and easy opening of clamp

Applications:

- Assembly
- Welding

Also Available:

See page 8.1 for accessories

462



462-2
With Two Adjustable Spindles



463



480 ⓘ



482



484



486

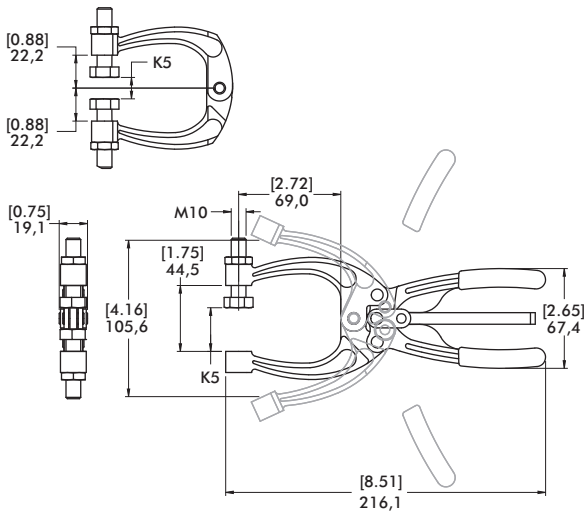


Series 460, 480 Technical Information, Holding Capacities

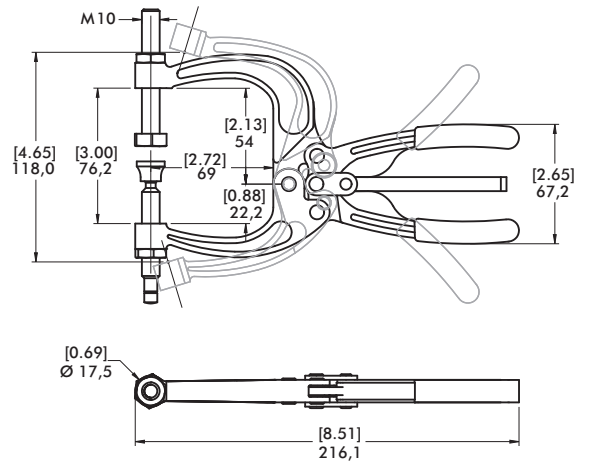
Model	Max. Holding Capacity	Weight	(K5) Maximum Clamping Thickness	Spindle (Supplied)
462	3110 N [700 lbf]	0,51kg [1.13lb]	29,5 [1.16]	468206-M 2102056-M
462-2			30,5 [1.20]	(2X) 491203-M
463	†5340 N [1200 lbf]	0,54kg [1.19lb]	54,2 [2.13]	468206-M 210203-M
480 ⓘ			--	--
482	5340 N [1200 lbf]	0,79kg [1.75lb]	29,5 [1.16]	468206-M
484			76,5 [3.01]	468206-M 210203-M
486	4450 N [1000 lbf]	1,05kg [2.31lb]	138,4 [5.45]	(2X) 240203-M

ⓘ This item is available upon request. † with 65mm [2.56] jaw extension

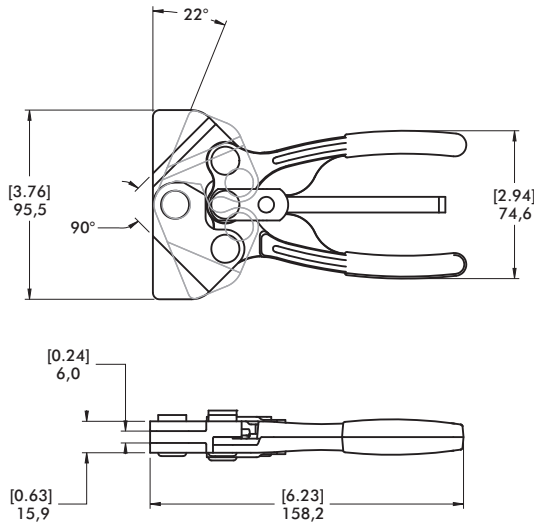
Series 460, 480 Standard Clamp Dimensions



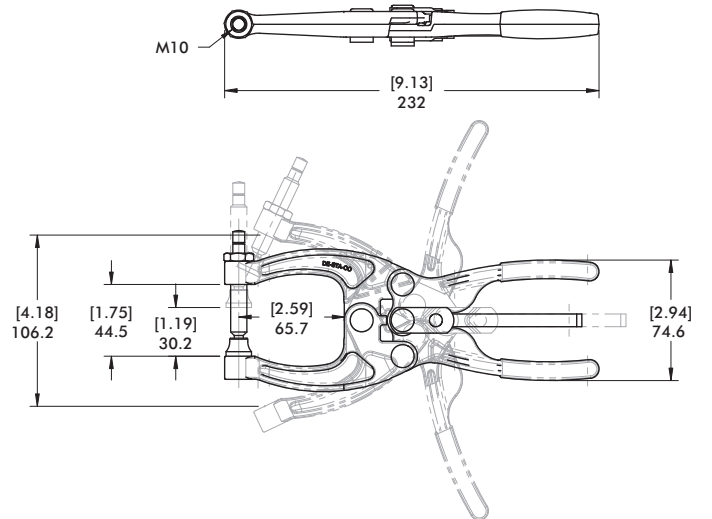
MODEL 462 AS SHOWN



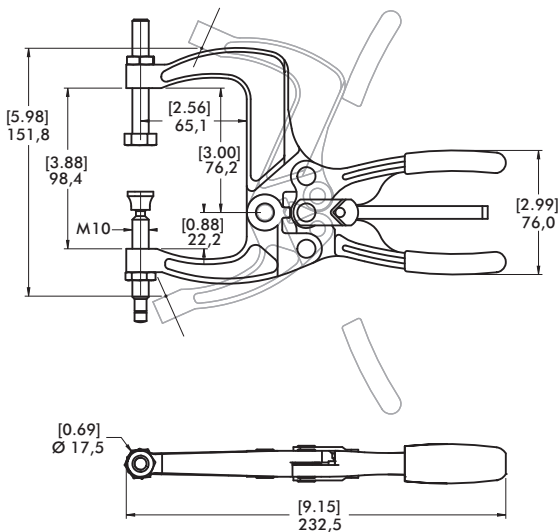
MODEL 463 AS SHOWN



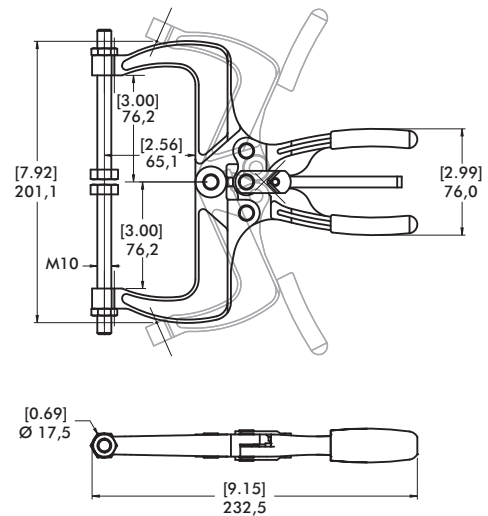
MODEL 480 AS SHOWN



MODEL 482 AS SHOWN



MODEL 484 AS SHOWN



MODEL 486 AS SHOWN

