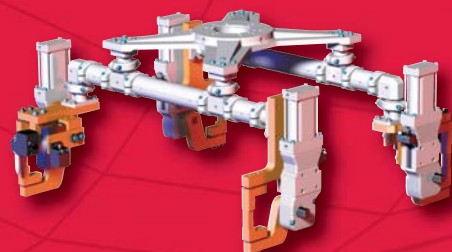
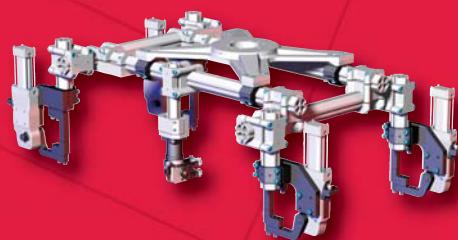
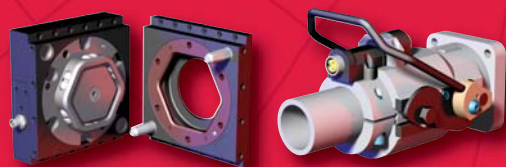


# Modular Solutions



[www.destaco.com](http://www.destaco.com)

**END EFFECTOR VISUAL SELECTION GUIDE**  
November 2010

CAD FILES  
AVAILABLE  
ONLINE



## A Global Presence



### The Best Products. Unmatched Service. Worldwide.

With a support network spanning the globe, DE-STA-CO offers consistent, comprehensive service to any location in the world. Whether your operations are localized or span multiple continents, you will always have access to the highest levels of customer service and technical support.

DE-STA-CO provides **complete single source solutions** with a comprehensive offering of products to help customers **hold, grip, locate, place, and index** their parts with precision



#### Workholding

Vertical Handle



Latch-Type



Horizontal Handle

Straight-Line Action



Cylinder-Driven Manual



Variable-Stroke Straight-Line Action



Plier-Type



Carver



#### Automation Robohand FERGUSON CAMCO

E-Gripper<sup>®</sup>  
Electric Gripper



Parallel and Angular Grippers



Rotary Actuators



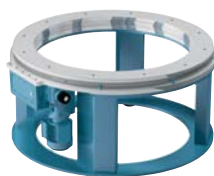
Slides and Thrusters



Index Drives



Ring Index Drives



Part Handlers



IM-pAC AC Drives



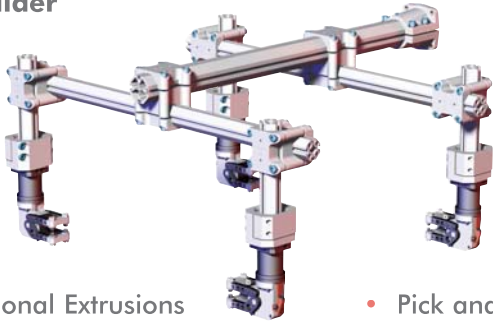
Precision Link  
Conveyors





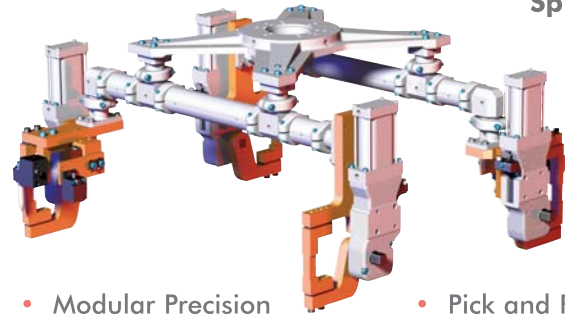
Modular Solutions  
End Effector Systems Overview

BodyBuilder™



- Octagonal Extrusions
- Modular Components
- Patented Crash Recovery System
- Pick and Place
- Material Handling
- Robot Welding

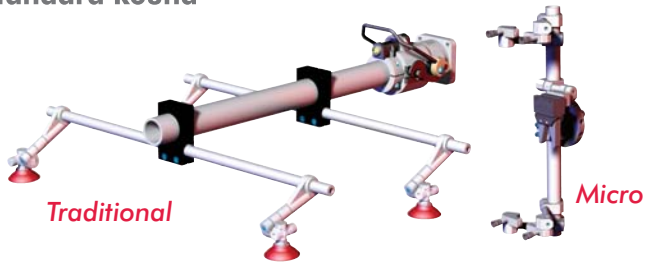
SpiderGrip



- Modular Precision
- Geometric Tolerances
- Pre-Engineered Break Away
- Pick and Place
- Fixture Welding

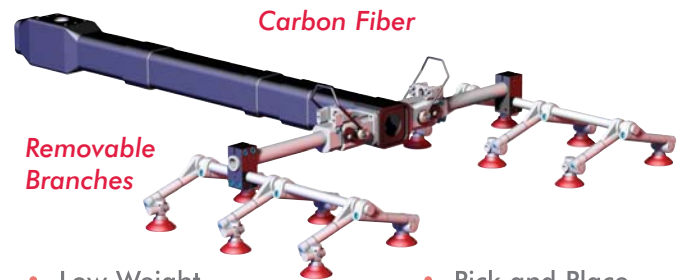


Standard Round



- Lightweight Aluminum
- Modular Components
- Easy Reconfiguration
- Pick and Place
- Material Handling
- Plastics

Customized Solutions



- Low Weight
- High Stiffness
- Low Deflection
- Pick and Place
- Faster Cycle Times
- Use Smaller Robot

## Modular Solutions

### Table of Contents

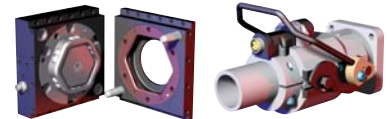
**DE-STA-CO Vacuum Products** ..... 5 - 17

- Vacuum Cups and Part Lifting Magnets
- Auto Release Venturi (ARV)
- Vacuum Generators and Port Only Adaptors
- Spring Loaded Cup Mounts
- Manifolds



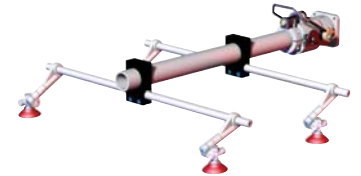
**Tool Changers and Adaptors** ..... 18 - 37

- RQC/RTP-400/800/1200 Automatic Tool Changers
- QC/TP-30/60/150 Automatic Tool Changers
- Quick Disconnect Manual Tool Changers
- Automation Adaptors
- Nest Stands



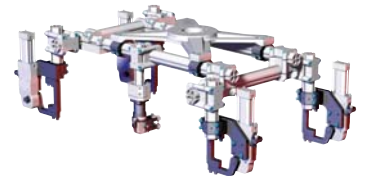
**Round Tooling Components** ..... 38 - 55

- World Tool Booms (Carbon Fiber and Aluminum)
- Aluminum Round Tooling Structures
- Steel Round Structures
- Transition Brackets and Blocks
- Swivel Arms and Accessories



**BodyBuilder™ End Effector Systems** ..... 56 - 65

- Octagonal Aluminum Booms
- RM4 Heavy Duty Mid Mounts
- Transition Brackets and Blocks
- Accessory Brackets and Gripper Mounts
- Swivel Arms Mounts and Accessories



**SpiderGrip End Effector Systems** ..... 66 - 67

- RM4 Heavy Duty Mid Mounts
- Anchors and Collar Assemblies
- Booms, Adaptors, and Spacers
- Corner and Transition Junctions
- Single End Extension Mounts
- Offset, 90° and Inline Edge Components

